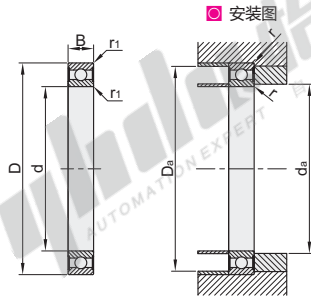


深沟球轴承

接触式 带橡胶密封圈型



| 品牌 | 轴承类型 | 轴承精度 | 轴承游隙 | 后置代码 | 轴承材质 | | 密封圈材质 |
|-----|------|----------------|-------------|------------------|-------|------|-------|
| | | | | | 国标 | 相当 | |
| HCH | 6 | GB/T 307.1 P0级 | 标准游隙(CN/C0) | 2RS(双面带橡胶密封圈接触式) | GCr15 | SUJ2 | 丁腈橡胶 |

| 型号 | 主要尺寸(mm) | | | | 基本额定载荷 | | 极限转速(rpm) | | 安装相关尺寸 | | | | 重量(g) 参考 | |
|--------------|----------|----|-------|-------|-------------|-------------|--------------|-------|--------|-------------|-------------|-------------|-------------|------------|
| | 代码 | d | D | B | r1 (min) | Cr(动) KN | Cor(静) KN | 脂润滑 | 油润滑 | da (min) | da (max) | Da (max) | | r (min) |
| 604-2RS-HCH | 4 | 12 | 4 | 0.2 | 0.97 | 0.36 | 47000 | 55000 | 5.4 | 6.6 | 10.6 | 0.2 | 4 | |
| 624-2RS-HCH | | 13 | 5 | | 1.31 | 0.49 | 42000 | 50000 | 5.6 | 6.2 | 11.4 | | 4.8 | |
| 605-2RS-HCH | | 14 | | | 1.33 | 0.51 | 41000 | 51000 | 6.6 | 7.4 | 12.4 | | 3.5 | |
| 625-2RS-HCH | 5 | 16 | 0.3 | 1.76 | 0.68 | 37000 | 44000 | 7 | 9.5 | 17 | 0.3 | 5 | | |
| 635-2RS-HCH | | 19 | | 2.34 | 0.95 | 34000 | 42000 | | | | | 11 | | |
| 685-2RS-HCH | | 11 | | 5 | 0.15 | 0.715 | 0.282 | | | | | 46000 | 54000 | 6.2 |
| 695-2RS-HCH | 6 | 13 | 4 | 0.2 | 1.08 | 0.43 | 44000 | 51000 | 6.6 | 6.6 | 11.4 | 0.2 | 5.3 | |
| 606-2RS-HCH | | 17 | 0.3 | 2.19 | 0.87 | 38000 | 45000 | 8 | 8.6 | 15 | 0.3 | 7 | | |
| 626-2RS-HCH | | 19 | | 2.34 | 0.95 | 34000 | 41000 | | | | | 8 | | |
| 686-2RS-HCH | 13 | 5 | | 0.15 | 1.08 | 0.44 | 40000 | | | | | 50000 | 7.4 | 7.4 |
| 696-2RS-HCH | 7 | 15 | 0.3 | 1.35 | 0.53 | 46000 | 51000 | 7.6 | 7.6 | 13.4 | 0.3 | 8.4 | | |
| 607-2RS-HCH | | 19 | | 6 | 2.34 | 0.95 | 35000 | 42000 | 10 | 10.4 | | 17 | 7 | |
| 627-2RS-HCH | | 22 | | 7 | 3.45 | 1.4 | 32000 | 37000 | 9 | 12.2 | | 20 | 13 | |
| 687-2RS-HCH | 8 | 14 | 0.15 | 1.17 | 0.51 | 39000 | 49000 | 8.5 | 8.5 | 12.7 | 0.15 | 3 | | |
| 697-2RS-HCH | | 17 | | 5 | 1.61 | 0.715 | 37000 | 43000 | 9 | 9 | 15 | 11.4 | | |
| 608-2RS-HCH | | 22 | | 7 | 0.3 | 3.45 | 1.4 | 32000 | 38000 | 10 | 12.2 | 10 | 0.3 | 11.5 |
| 628-2RS-HCH | 24 | 8 | 4 | 1.66 | 31000 | 36000 | 17 | | | | | | | |
| 638-2RS-HCH | 28 | 9 | 3.54 | 1.99 | 28000 | 32000 | 29 | | | | | | | |
| 688-2RS-HCH | 9 | 16 | 5 | 0.2 | 1.33 | 0.585 | 37000 | 45000 | 9.6 | 9.6 | 14.4 | 0.2 | 4 | |
| 698-2RS-HCH | | 19 | 6 | 1.99 | 0.865 | 42000 | | 10 | 10 | 16.5 | 16.1 | | | |
| 609-2RS-HCH | | 24 | 7 | 0.3 | 3.9 | 1.66 | | 31000 | 37000 | 11 | 13.1 | 12 | 0.3 | 14.7 |
| 629-2RS-HCH | 10 | 26 | 8 | 4.75 | 1.96 | 27000 | 32000 | 11.5 | 11.5 | 14 | 0.3 | 19 | | |
| 689-2RS-HCH | | 17 | 5 | 0.2 | 1.72 | 0.82 | 35000 | 42000 | 10.7 | 10.7 | | 15.2 | 0.2 | 4 |
| 699-2RS-HCH | | 20 | 6 | 2.48 | 1.09 | 34000 | 40000 | 11 | 11.6 | 18 | | 18 | | |
| 6000-2RS-HCH | 11 | 26 | 8 | 0.3 | 4.75 | 1.96 | 30000 | 36000 | 12 | 13.5 | 24.1 | 0.3 | 19 | |
| 6200-2RS-HCH | | 30 | 9 | 0.6 | 5.4 | 2.39 | 25000 | 30000 | 12.7 | 16 | 26 | | 0.6 | 30 |
| 6300-2RS-HCH | | 35 | 11 | 7.65 | 3.47 | 23000 | 27000 | 14 | 17 | 31 | 54 | | | |
| 6800-2RS-HCH | 12 | 19 | 5 | 1.83 | 0.925 | 33000 | 40000 | 12 | 14 | 17.8 | 0.3 | 5 | | |
| 6900-2RS-HCH | | 22 | 6 | 2.7 | 1.27 | 32000 | 38000 | | | | | 13 | 20 | 19.8 |
| 6001-2RS-HCH | | 28 | 8 | 5.4 | 2.36 | 29000 | 33000 | | | | | 14 | 16 | 26 |
| 6201-2RS-HCH | 13 | 32 | 10 | 0.6 | 7.28 | 3.1 | 23000 | 28000 | 14.7 | 17 | 28 | 0.6 | 36 | |
| 6301-2RS-HCH | | 37 | 12 | 1 | 7.69 | 3.5 | 21000 | 25000 | 16.7 | 18.5 | 32 | 1 | 59 | |
| 6801-2RS-HCH | | 21 | 5 | 1.92 | 1.04 | 32000 | 38000 | 14 | 14.5 | 19 | 0.3 | 6 | | |
| 6901-2RS-HCH | 24 | 6 | 2.89 | 1.46 | 31000 | 36000 | 15 | | | | | 22 | 24.2 | |
| 6002-2RS-HCH | 32 | 9 | 5.85 | 2.85 | 25000 | 29000 | 17 | | | | | 19 | 30 | 30 |
| 6202-2RS-HCH | 15 | 35 | 11 | 0.6 | 7.64 | 3.72 | 20000 | 25000 | 17.9 | 20 | 31 | 0.6 | 46 | |
| 6302-2RS-HCH | | 42 | 13 | 1 | 11.45 | 5.43 | 19000 | 22000 | 19.8 | 23 | 37 | 1 | 82 | |
| 6802-2RS-HCH | | 24 | 5 | 2.08 | 1.26 | 28000 | 32000 | 17 | 17.5 | 22 | 0.3 | 7 | | |
| 6902-2RS-HCH | 28 | 7 | 4.36 | 2.24 | 27000 | 31000 | 17.5 | | | | | 26 | 35.2 | |
| 6003-2RS-HCH | 35 | 10 | 6 | 3.24 | 23000 | 26000 | 19 | | | | | 21.5 | 33 | 39 |
| 6203-2RS-HCH | 17 | 40 | 12 | 0.6 | 9.57 | 4.79 | 18000 | 22000 | 20 | 23.5 | 36 | 0.6 | 65 | |
| 6303-2RS-HCH | | 47 | 14 | 1 | 13.58 | 6.58 | 16000 | 19000 | 22 | 25.5 | 42 | 1 | 113 | |
| 6803-2RS-HCH | | 26 | 5 | 2.81 | 1.72 | 25000 | 30000 | 19 | 19.5 | 24 | 0.3 | 8 | | |
| 6903-2RS-HCH | 30 | 7 | 4.65 | 2.58 | 29000 | 20 | 28 | | | | | 39.6 | | |
| 6004-2RS-HCH | 42 | 12 | 0.6 | 9.38 | 5.03 | 18000 | 21000 | | | | | 24 | 26 | 38 |
| 6204-2RS-HCH | 20 | 47 | 14 | 1 | 12.84 | 6.65 | 16000 | 18000 | 24.6 | 28 | 42 | 1 | 107 | |
| 6304-2RS-HCH | | 52 | 15 | 1.1 | 15.94 | 7.88 | 14000 | 17500 | 25.8 | 28.5 | 45.5 | 1.1 | 142 | |
| 6804-2RS-HCH | | 32 | 7 | 4.01 | 2.47 | 23000 | 28000 | 22 | 22.5 | 30 | 0.3 | 15 | | |
| 6904-2RS-HCH | 37 | 9 | 6.37 | 3.68 | 20000 | 24000 | 24 | | | | | 35 | 79.2 | |
| 6005-2RS-HCH | 47 | 12 | 0.6 | 10.07 | 5.85 | 16000 | 19000 | | | | | 29 | 30.5 | 43 |
| 6205-2RS-HCH | 25 | 52 | 15 | 1 | 14.02 | 7.88 | 13000 | 16000 | 30 | 32 | 47 | 1 | 125 | |
| 6305-2RS-HCH | | 62 | 17 | 1.1 | 22.41 | 11.51 | 12000 | 14000 | 31 | 36 | 55.5 | 1.1 | 226 | |
| 6805-2RS-HCH | | 37 | 7 | 4.31 | 2.95 | 18000 | 23000 | 27 | 28 | 35 | 0.3 | 20 | | |
| 6905-2RS-HCH | 42 | 9 | 7.01 | 4.55 | 17000 | 21000 | 29 | | | | | 40 | 92.4 | |
| 6006-2RS-HCH | 55 | 13 | 13.23 | 8.3 | 13000 | 15000 | 35 | | | | | 37 | 50 | 1 |
| 6206-2RS-HCH | 62 | 16 | 1 | 19.8 | 12.8 | 12000 | | 14000 | 39 | 57 | 201 | | | |
| 6306-2RS-HCH | 30 | 72 | 19 | 1.1 | 27.03 | 15.26 | | 10000 | 12000 | 36.5 | 43 | | | |
| 6806-2RS-HCH | | 42 | 7 | 4.7 | 3.62 | 16000 | 19000 | 32 | 33 | 40 | 0.3 | 25 | | |
| 6906-2RS-HCH | | 47 | 9 | 7.24 | 5.01 | 16000 | 19000 | | | | | 34 | 45 | 105.6 |

| 型号 代码 | 主要尺寸(mm) | | | | 基本额定载荷 | | 极限转速(rpm) | | 安装相关尺寸 | | | | 重量 (g) 参考 | |
|--------------|----------|-----|-----|-------------------------|-------------|--------------|-----------|-------|-------------------------|-------------------------|-------------------------|------------|-----------------|------|
| | d | D | B | r ₁ (min) | Cr(动) KN | Cor(静) KN | 脂润滑 | 油润滑 | d _a (min) | d _a (max) | D _a (max) | r (min) | | |
| 6007-2RS-HCH | 35 | 62 | 14 | 1 | 15.98 | 10.28 | 12000 | 14000 | 40 | 42 | 57 | 1 | 148 | |
| 6207-2RS-HCH | | 72 | 17 | 1.1 | 27.06 | 15.33 | 10000 | 12000 | 41 | 45 | 65.5 | 1.1 | 287 | |
| 6307-2RS-HCH | | 80 | 21 | 1.5 | 33.39 | 19.29 | 8800 | 10000 | 42.9 | 47 | 72 | 1.5 | 460 | |
| 6807-2RS-HCH | | 47 | 7 | 0.3 | 4.9 | 4.05 | 13000 | 17000 | 37 | 38 | 45 | 0.3 | 29 | |
| 6008-2RS-HCH | 40 | 68 | 15 | 1 | 16.78 | 11.54 | 10000 | 12000 | 45 | 47.5 | 63 | 1 | 189 | |
| 6208-2RS-HCH | | 80 | 18 | 1.1 | 29.52 | 18.14 | 8800 | 10000 | 46 | 51 | 73.5 | 1.1 | 365 | |
| 6308-2RS-HCH | | 90 | 23 | 1.5 | 40.76 | 24.01 | 7800 | 9200 | 48 | 54 | 82 | 1.5 | 645 | |
| 6009-2RS-HCH | | 75 | 16 | 1 | 19.89 | 13.99 | 9200 | 11000 | 50 | 53.5 | 70 | 1 | 236 | |
| 6209-2RS-HCH | 45 | 85 | 19 | 1.1 | 29.36 | 19.19 | 7800 | 9200 | 51 | 55.5 | 78.5 | 1.1 | 420 | |
| 6309-2RS-HCH | | 100 | 25 | 1.5 | 48.89 | 29.56 | 7000 | 8200 | 53 | 61.5 | 92 | 1.5 | 842 | |
| 6010-2RS-HCH | | 80 | 16 | 1 | 20.77 | 15.38 | 8400 | 9800 | 55 | 58.5 | 75 | 1 | 254 | |
| 6210-2RS-HCH | 50 | 90 | 20 | 1.1 | 35.07 | 23.22 | 7100 | 8300 | 56 | 60 | 83.5 | 1.1 | 466 | |
| 6310-2RS-HCH | | 110 | 27 | 2 | 57.54 | 35.34 | 6400 | 7500 | 59 | 68.5 | 101 | 2 | 1086 | |
| 6011-2RS-HCH | | 90 | 18 | 1.1 | 26.85 | 19.57 | 7700 | 9000 | 61.5 | 64.2 | 83.5 | 1.1 | 366 | |
| 6211-2RS-HCH | 55 | 100 | 21 | 1.5 | 39.07 | 26.54 | 6400 | 7600 | 62 | 67 | 92 | 1.5 | 606 | |
| 6311-2RS-HCH | | 120 | 29 | 2 | 66.91 | 41.89 | 5800 | 6800 | 64 | 74 | 111 | 2 | 1350 | |
| 6012-2RS-HCH | | 95 | 18 | 1.1 | 28.02 | 21.51 | 7100 | 8300 | 66.5 | 69.1 | 88.5 | 1.1 | 389 | |
| 6212-2RS-HCH | 60 | 110 | 22 | 1.5 | 47.76 | 32.92 | 6000 | 7300 | 68 | 75 | 102 | 1.5 | 793 | |
| 6312-2RS-HCH | | 130 | 31 | 2.1 | 81.91 | 52.14 | 5400 | 6300 | 71 | 80.5 | 119 | 2.1 | 1700 | |
| 6013-2RS-HCH | | 100 | 18 | 1.1 | 32.04 | 24.92 | 6700 | 8000 | 71.5 | 74 | 93.5 | 1.1 | 440 | |
| 6213-2RS-HCH | 65 | 120 | 23 | 1.5 | 57.19 | 40.15 | 5500 | 7000 | 73 | 80.5 | 112 | 1.5 | 990 | |
| 6313-2RS-HCH | | 140 | 33 | 2.1 | 92.74 | 59.87 | 5000 | 6000 | 76 | 86 | 129 | 2.1 | 2100 | |
| 6014-2RS-HCH | | 110 | 20 | 1.1 | 36.77 | 29.08 | 6300 | 7100 | 76.5 | 80.5 | 103.5 | 1.1 | 600 | |
| 6214-2RS-HCH | 70 | 125 | 24 | 1.5 | 56.38 | 41.87 | 5100 | 6100 | 78 | 85 | 117 | 1.5 | 1100 | |
| 6314-2RS-HCH | | 150 | 35 | 2.1 | 104.13 | 68.04 | 4500 | 5300 | 81 | 92.5 | 139 | 2.1 | 2500 | |
| 6015-2RS-HCH | | 115 | 20 | 1.1 | 38.24 | 31.79 | 5800 | 7000 | 81.5 | 85.6 | 108.5 | 1.1 | 640 | |
| 6215-2RS-HCH | 75 | 130 | 25 | 1.5 | 60.68 | 45.47 | 4800 | 5600 | 83 | 90.5 | 122 | 1.5 | 1200 | |
| 6315-2RS-HCH | | 160 | 37 | 2.1 | 113.42 | 76.97 | 4300 | 5000 | 86 | 99 | 149 | 2.1 | 3000 | |
| 6016-2RS-HCH | | 125 | 22 | 1.1 | 42.33 | 35.64 | 5500 | 6500 | 86.5 | 91.5 | 118.5 | 1.1 | 854 | |
| 6216-2RS-HCH | 80 | 140 | 26 | 2 | 65.91 | 50.11 | 4500 | 5300 | 89 | 95.5 | 131 | 2 | 1400 | |
| 6017-2RS-HCH | | 85 | 130 | 22 | 1.1 | 52.8 | 44.49 | 5300 | 6300 | 91.5 | 97 | 123.5 | 1.1 | 890 |
| 6018-2RS-HCH | | 90 | 140 | 24 | 1.5 | 52.34 | 45.08 | 5000 | 6000 | 98 | 102 | 132 | 1.5 | 1020 |



| 型号 | 主要尺寸(mm) |
|--------------|----------|
| 代码 | d |
| 6007-2RS-HCH | 35 |

请按图示订货 6007-2RS-HCH



未税价(元)

| | | |
|-------|----------|------|
| ● 优惠价 | 数量 1~100 | 101~ |
| | 价格 100% | 另行报价 |



| | |
|-----|---|
| 交货期 | 4 |
|-----|---|



总目录

目录
使用说明

螺钉

螺栓

螺柱

铆接类

组合件

螺母

垫圈

挡圈

树脂类

带挡块
螺钉

柱塞

紧固件
进口专区

紧固件
专用配件

经济型
轴承

标准型
轴承

进口型
轴承

品牌轴承

带座轴承

吊环

索具

电子焊接
工具

手动工具

电动工具

气动工具

储存工具

量具

刀具

技术资料