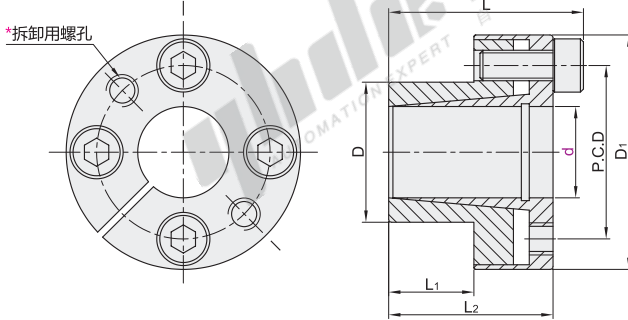


# 简易型 · 带定心功能

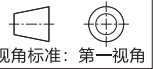
挡圈一体式

# 免键胀套

| 代码    | 类型  |       | 材质     | 表面处理 |
|-------|-----|-------|--------|------|
| EUX31 | 简易型 | 带定心功能 | S45C   | —    |
| EUX32 |     |       |        | 发黑   |
| EUX33 |     |       |        | 喷砂镀镍 |
| EUX34 |     |       | SUS304 | —    |



推荐安装尺寸：  
轴：h8  
毂：H8



※拆卸用螺孔的螺栓与锁紧螺栓相同。

| 型号 | D  | D <sub>1</sub> | P.C.D | L <sub>1</sub> | L <sub>2</sub> | L    | DIN912-12.9级锁紧螺钉 |    |            |                         | 容许最大扭矩 (N·M) |                         | 容许轴向负载 (kN) |                         | 轴接触面压强 (N/mm <sup>2</sup> ) |                         | 毂接触面压强 (N/mm <sup>2</sup> ) |    |
|----|----|----------------|-------|----------------|----------------|------|------------------|----|------------|-------------------------|--------------|-------------------------|-------------|-------------------------|-----------------------------|-------------------------|-----------------------------|----|
|    |    |                |       |                |                |      | 规格               | 数量 | 锁紧扭矩Ts(Nm) | EUX31<br>EUX32<br>EUX33 | EUX34        | EUX31<br>EUX32<br>EUX33 | EUX34       | EUX31<br>EUX32<br>EUX33 | EUX34                       | EUX31<br>EUX32<br>EUX33 | EUX34                       |    |
| 5  | 12 | 23             | 15.5  | 10             | 19             | 22   | M3×8             | 4  | 1.5        | 1.1                     | 8            | 3                       | 4           | 1.05                    | 187                         | 58                      | 100                         | 31 |
|    |    |                |       |                |                |      |                  |    |            |                         | 10           | 4                       |             |                         | 155                         | 48                      |                             |    |
| 6  | 15 | 28             | 19.5  | 12             | 23             | 27   | M4×10            | 5  | 4.0        | 2.6                     | 23           | 8                       | 6.06        | 1.9                     | 175                         | 54                      | 115                         | 36 |
| 10 | 18 | 31.5           | 22.5  |                |                |      |                  |    |            |                         | 40           | 13                      |             |                         | 194                         | 61                      | 132                         | 43 |
| 12 | 20 | 33.5           | 24.5  | 14             | 27             | 32   | M5×12            | 8  | 8.5        | 5.8                     | 55           | 17                      | 8.7         | 2.72                    | 162                         | 50                      | 119                         | 39 |
| 14 | 22 | 35.5           | 26.5  |                |                |      |                  |    |            |                         | 60           | 19                      |             |                         | 139                         | 44                      | 108                         | 35 |
| 15 | 23 | 38.5           | 28.5  | 16             | 32             | 38   | M6×14            | 6  | 12.0       | 9.3                     | 110          | 36                      | 21.20       | 7.50                    | 177                         | 59                      | 145                         | 49 |
| 16 | 24 | 39.5           | 29.5  |                |                |      |                  |    |            |                         | 123          | 40                      |             |                         | 162                         | 55                      | 144                         | 45 |
| 17 | 25 | 40.5           | 30.5  | 20             | 36             | 42   | M8×18            | 8  | 32.0       | 20.9                    | 131          | 43                      | 8.5         | 2.65                    | 155                         | 53                      | 135                         | 47 |
| 18 | 26 | 46             | 33    |                |                |      |                  |    |            |                         | 215          | 68                      |             |                         | 190                         | 63                      | 196                         | 64 |
| 19 | 27 | 47             | 34    | 22             | 38             | 44   | M8×18            | 8  | 32.0       | 20.9                    | 223          | 71                      | 11.05       | 14.40                   | 183                         | 60                      | 189                         | 62 |
| 20 | 28 | 48             | 35    |                |                |      |                  |    |            |                         | 235          | 76                      |             |                         | 175                         | 57                      | 182                         | 59 |
| 22 | 32 | 52             | 39    | 30             | 50.5           | 58.5 | M8×18            | 8  | 32.0       | 20.9                    | 254          | 82                      | 8.5         | 2.65                    | 146                         | 46                      | 139                         | 46 |
| 24 | 34 | 54             | 41    |                |                |      |                  |    |            |                         | 276          | 89                      |             |                         | 134                         | 43                      | 131                         | 41 |
| 25 | 35 | 57             | 44    | 30             | 50.5           | 58.5 | M8×18            | 8  | 32.0       | 20.9                    | 291          | 94                      | 11.05       | 14.40                   | 128                         | 41                      | 132                         | 43 |
| 28 | 39 | 59             | 46    |                |                |      |                  |    |            |                         | 486          | 157                     |             |                         | 146                         | 46                      | 138                         | 46 |
| 30 | 41 | 61             | 48    | 30             | 50.5           | 58.5 | M8×18            | 8  | 32.0       | 20.9                    | 523          | 163                     | 8.5         | 2.65                    | 137                         | 44                      | 130                         | 43 |
| 32 | 43 | 63             | 50    |                |                |      |                  |    |            |                         | 555          | 178                     |             |                         | 126                         | 41                      | 125                         | 41 |
| 35 | 47 | 67             | 54    | 30             | 50.5           | 58.5 | M8×18            | 8  | 32.0       | 20.9                    | 812          | 260                     | 8.5         | 2.65                    | 143                         | 47                      | 139                         | 44 |
| 40 | 53 | 73             | 60    |                |                |      |                  |    |            |                         | 925          | 297                     |             |                         | 128                         | 41                      | 124                         | 40 |
| 45 | 59 | 84             | 69    | 30             | 50.5           | 58.5 | M8×18            | 8  | 32.0       | 20.9                    | 1890         | 605                     | 8.5         | 2.65                    | 159                         | 52                      | 143                         | 49 |
| 50 | 65 | 90             | 75    |                |                |      |                  |    |            |                         | 2110         | 680                     |             |                         | 144                         | 46                      | 133                         | 43 |

请按图示订货

| 型号    |   |
|-------|---|
| 代码    | d |
| EUX31 | 5 |
| EUX32 | 6 |
| EUX33 | 8 |
| EUX34 | 8 |

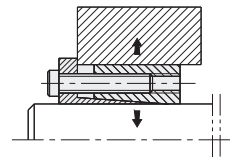
EUX31—d5

未税价(元)

● 优惠价  
数量 1~99 100~  
价格 100% 另行报价

交货期  
5

EX Example  
使用示例



怡合达  
AUTOMATION EXPERT  
自动化专家