
UT-201B 规格书

(物料名称: 商业级袖珍型 RS-232 到 RS-485 接口转换器)

1. 品牌与制造商信息

- 品牌: 宇泰科技 (UTEK)
- 制造商:
- Logo: 

2. 物料型号及版本

- 型号: UT-201B
- 版本: VER: 01

3. 主要功能、特性

- 支持 RS-232 转 RS-485 接口转换器

4. 技术参数

- 1、接口特性: 接口兼容 EIA/TIA 的 RS-232C、RS485 标准
- 2、电气接口: RS-232 端 DB9 孔型连接器, RS-485 端 DB9 针型连接器, 配接线柱
- 3、工作方式: 异步半双工差分传输
- 4、传输介质: 双绞线或屏蔽线
- 5、传输速率: 300bps-115.2Kbps
- 6、外形尺寸: 63mm× 33mm× 17mm
- 7、使用环境: -25℃ 到 70℃, 相对湿度为 5%到 95%
- 8、传输距离: 1,200 米 (RS-485 端) 5 米 (RS-232 端)

5. 硬件定义及初始设定

RS-232C 引脚分配

DB9 Female(PIN)	RS-232C 接口信号
1	保护地
2	发送数据 SOUT (TXD)
3	接收数据 SIN (RXD)
4	数据终端准备 DTR
5	信号地 GND
6	数据装置准备 DSR
7	请求发送 RTS
8	清除发送 CTS
9	响铃指示 RI

RS-485 输出信号

DB9 Male(PIN)	输出信号	RS-485 半双工接线
1	T/R+	RS-485 (A+)
2	T/R-	RS-485 (B-)
3	N/C	空
4	N/C	空
5	GND	地线
6	VCC	+5V 备用电源输入
7、8、9	N/C	空

6. 产品视图（外观图）



7. 产品认证资质(法律法规)说明



Shenzhen EMTEK Co., Ltd.
 Bldg 69 Majiang Industry Zone, Nanshan District, Shenzhen, Guangdong, 518052 P.R. China
 www.emtek.com.cn Tel: +86-755-2695 4280 Fax: +86-755-2695 4282



NO. L2391

Certificate of Conformity


NO.: E0805123E

The following products have been tested by us with the listed standards and found in conformity with the council EMC directive 2004/108/EC. It is possible to use CE marking to demonstrate the conformity with this EMC Directive.

Applicant	: UTEK TECHNOLOGY(SHENZHEN) CO., LTD.
Address	: 7/F, No.1, Xinghua 1 Road, District 44, Baoan, Shenzhen
Manufacturer	: UTEK TECHNOLOGY(SHENZHEN) CO., LTD.
Address	: 7/F, No.1, Xinghua 1 Road, District 44, Baoan, Shenzhen
Trade Mark	: UTEK
EUT	: Interface Converters
M/N	: UT-201, UT-202, UT-203, UT-204E, UT-205
Test Standards	: ENS5022: 2006 ENS5024: 1998+A1: 2001+A2: 2003




The test report was carried out from the submitted type samples of a product in conformity with the specification of the respective standards. The certificate holder has the right to fix the CE-mark for EMC directive on the product complying with the inspection samples.



Shenzhen EMTEK Co., Ltd.
 Bldg 69 Majiang Industry Zone, Nanshan District, Shenzhen, Guangdong, 518052 P.R. China
 www.emtek.com.cn Tel: +86-755-2695 4280 Fax: +86-755-2695 4282



NO. L2391

Declaration of Conformity

This device is in conformance with Part 15 of the FCC Rules and Regulations. Operation of this product is subject to the following two conditions: (1) this device may not cause harmful interference, and (2) this device must accept any interference received, including interference that may cause undesired operation.

Applicant	: UTEK TECHNOLOGY(SHENZHEN) CO., LTD.
Address	: 7/F, No.1, Xinghua 1 Road, District 44, Baoan, Shenzhen
Manufacturer	: UTEK TECHNOLOGY(SHENZHEN) CO., LTD.
Address	: 7/F, No.1, Xinghua 1 Road, District 44, Baoan, Shenzhen
Trade Mark	: UTEK

EUT Certification Summary

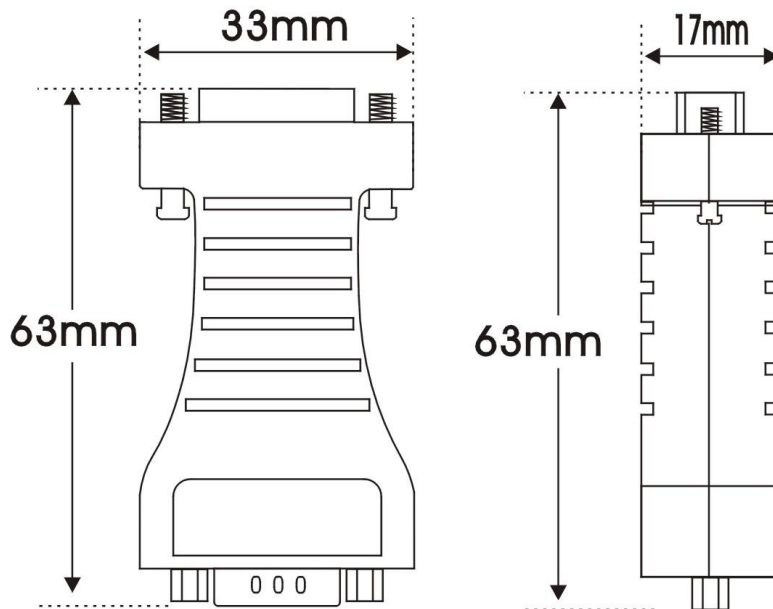
Equipment Class	: FCC Part 15 Class B
Report Number	: E0805123F
Tested by	: SHEN ZHEN EMTEK CO., LTD

We, the responsible party:
UTEK TECHNOLOGY(SHENZHEN) CO., LTD.
 Declare that the product
Interface Converters
M/N: UT-201, UT-202, UT-203, UT-204E, UT-205




Was tested to conform to the applicable FCC Rules and Regulations. The method of testing was in accordance to the most accurate measurement standards possible, and that all necessary steps have been enforced to assure that all production units of the same equipment will continue to comply with the Federal Communications Commission's requirements.

8. 结构尺寸图



9. 机身铭牌（包含认证标识）



10. 附件清单

名称	数量 (单位)
UT-201B 主机	1PC
4 位接线柱	1PC
合格证	1PC
说明书	1PC

11. 包装方式及外箱标识



包装盒尺寸是：160×105×55mm

注:生产批号、生产日期以实际货物为准。

12. 存储运输要求

存储温度：-40 度到+85 度,相对湿度为 5%到 95%

13. 加工/组装/安装注意事项（可选）

14. 典型参数的测试方法（可选）

15. 产品质保及服务（可选）