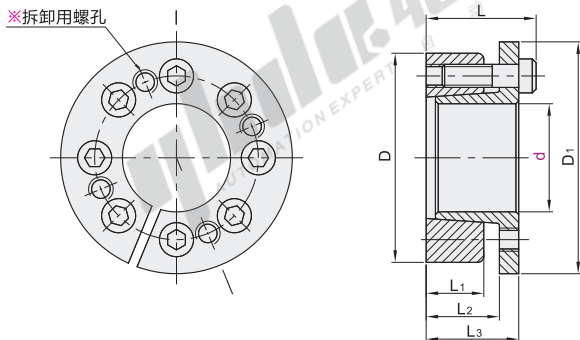
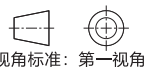


| 代码 | 类型 | | 材质 | 表面处理 |
|-------|-----|-------|------|------|
| EUX21 | 法兰型 | 带定心功能 | S45C | — |
| EUX22 | | | | 喷砂镀铬 |



- 推荐安装尺寸：
轴：h8
毂：H8
- 类似JB/T7934 Z8型免键胀套



同步轮
F3

※拆卸用螺孔的螺径与锁紧螺栓相同。

| 型号 | 代码 | d | D | D ₁ | L ₁ | L ₂ | L ₃ | L | 传递的轴向力 F _t (KN) | 传递扭矩 M _t (Nm) | 接触面压强 | | DIN912-12.9级锁紧螺钉 | | | |
|-------|----|-----|-----|----------------|----------------|----------------|----------------|-----|----------------------------------|--------------------------------|------------------------|------------------------|------------------|--------|----------------|--|
| | | | | | | | | | | | 轴 N/mm ² | 毂 N/mm ² | 数量 | 规格 | 锁紧扭矩 Ts(Nm) | |
| EUX21 | 19 | | | | | | | | | 243 | 234 | 5 | | | | |
| | 20 | 47 | 56 | | | | | 26 | 256 | 222 | 94 | | | | | |
| | 22 | | | | | | | | 282 | 202 | | | | | | |
| | 24 | 50 | 59 | | | | | | 368 | 222 | 106 | 6 | M6×20 | 17 | | |
| | 25 | | | | | | | | 383 | 213 | | | | | | |
| | 28 | 55 | 64 | 17 | 22 | 28 | 34 | 31 | 429 | 190 | 97 | 8 | | | | |
| | 30 | | | | | | | | 460 | 177 | | | | | | |
| | 32 | 60 | 69 | | | | | | 655 | 222 | 118 | 8 | | | | |
| | 35 | | | | | | | | 716 | 203 | | | | | | |
| | 38 | 65 | 74 | | | | | | 778 | 187 | 109 | 7 | | | | |
| 40 | | | | | | | | 819 | 178 | | | | | | | |
| EUX22 | 42 | 75 | 84 | | | | | | 1361 | 227 | 127 | 7 | | | | |
| | 45 | | | | | | | | 1458 | 212 | | | | | | |
| | 50 | 80 | 89 | 20 | 25 | 33 | 41 | 65 | 1620 | 191 | 119 | 8 | M8×25 | 41 | | |
| | 55 | | | | | | | | 2037 | 199 | 129 | | | | | |
| | 60 | 90 | 99 | | | | | | 74 | 2223 | 182 | 121 | 9 | | | |
| | 65 | | | | | | | | 83 | 2710 | 189 | 129 | | | | |
| | 70 | 110 | 119 | | | | | | | 4203 | 211 | 134 | 8 | M10×30 | 83 | |
| | 75 | | | 24 | 30 | 40 | 50 | 120 | 4754 | 197 | 128 | | | | | |
| | 80 | 120 | 129 | | | | | | | 4804 | 184 | 123 | | | | |

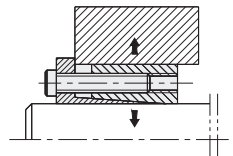


请按图示订货

| 型号 | | D |
|-----------|----|----|
| 代码 | d | |
| EUX21 | 19 | 47 |
| EUX22 | 20 | |
| | 22 | |
| EUX21—d19 | | |



Example 使用示例



未税价(元)

● 优惠价

| | | |
|----|------|------|
| 数量 | 1~4 | 5~ |
| 价格 | 100% | 另行报价 |



交货期
5

