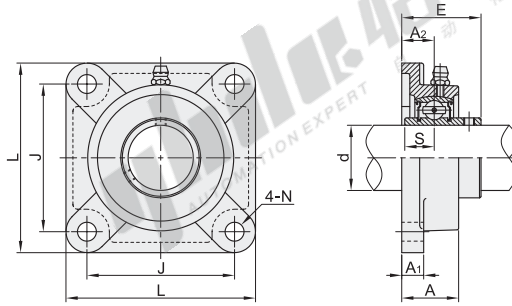


TR 带座轴承

方形座外球面球轴承·耐高温250℃ 铸造型



| 代码 | 类型 | 材质 | 材质 | |
|--------------|-----------|---------|----------|-------|
| | | | 轴承座 | 轴承 |
| UCF...HT2-TR | 方形座外球面球轴承 | 耐高温250℃ | HT200灰铸铁 | GCr15 |



视角标准：第一视角

| 型号 | d | L | J | A ₂ | A ₁ | A | E | N | S | 螺栓 | 紧定扭力 (N·m) | 额定负载(N) | | 重量 (Kg) |
|---------------|----|-----|-----|----------------|----------------|------|------|------|------|-----|---------------|---------|--------|------------|
| | | | | | | | | | | | | 动(Cr) | 静(Cor) | |
| UCF201HT2-TR* | 12 | | | | | | | | | | | | | 0.64 |
| UCF202HT2-TR* | 15 | | | | | | | | | | | | | 0.62 |
| UCF203HT2-TR* | 17 | 86 | 64 | 15 | 11 | 25.5 | 33.3 | | | | | | | 0.61 |
| UCF204HT2-TR* | 20 | | | | | | | 11.5 | | M10 | 12~21 | | | 0.59 |
| UCF205HT2-TR* | 25 | 95 | 70 | 16 | | 27 | 35.7 | | | | | 14000 | 7880 | 0.78 |
| UCF206HT2-TR* | 30 | 108 | 83 | 18 | 13 | 31 | 40.2 | | | | | 19500 | 11200 | 1.12 |
| UCF207HT2-TR* | 35 | 117 | 92 | 19 | | 34 | 44.4 | | | | | 25700 | 15200 | 1.54 |
| UCF208HT2-TR* | 40 | 130 | 102 | 21 | 15 | 36 | 51.2 | | | M12 | 21~37 | 29600 | 18200 | 1.81 |
| UCF209HT2-TR* | 45 | 137 | 105 | | | 38 | 52.2 | 16 | 19 | M14 | 34~60 | 31850 | 20800 | 2.02 |
| UCF210HT2-TR | 50 | 143 | 111 | 22 | 16 | 40 | 54.6 | | | | | 35100 | 23200 | 2.32 |
| UCF211HT2-TR | 55 | 162 | 130 | 25 | | 43 | 58.4 | | | | | 43550 | 29200 | 3.07 |
| UCF212HT2-TR | 60 | 175 | 143 | 29 | 18 | 48 | 68.7 | | | | | 47800 | 32800 | 4.34 |
| UCF213HT2-TR | 65 | 187 | 149 | 30 | | 50 | 69.7 | 18 | 25.4 | M16 | 53~93 | 57200 | 40000 | 4.91 |
| UCF214HT2-TR | 70 | 193 | 152 | 31 | | 54 | 75.4 | | | | | 60800 | 45000 | 6.27 |
| UCF215HT2-TR | 75 | 200 | 159 | | 22 | 56 | 78.5 | | | | | 66000 | 49500 | 6.33 |
| UCF216HT2-TR | 80 | 208 | 165 | 34 | | 57 | 83.3 | 22 | 33.3 | | | 71500 | 54200 | 7 |
| UCF217HT2-TR | 85 | 220 | 175 | 36 | 24 | 63 | 87.6 | | | | | 83200 | 63800 | 8.69 |
| UCF218HT2-TR | 90 | 235 | 187 | 40 | 25 | 68 | 96.3 | 23 | 34.1 | M20 | 105~190 | 95900 | 71500 | 11.1 |

① 带*型号轴承座凹球面公差为间隙配合，其他型号为过渡配合。



型号
UCF201HT2-TR

请按图示订货



未税价(元)

● 优惠价

| 数量 | 1~9 | 10~ |
|----|------|------|
| 价格 | 100% | 另行报价 |



交货期

10

