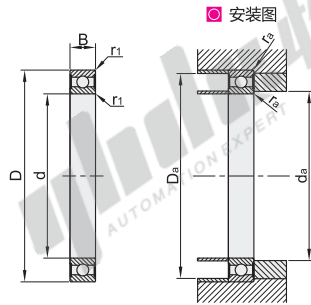


# 深沟球轴承

## ◀ 双面带防尘盖式

品牌	轴承类型 代码	轴承精度	轴承游隙	后置代码	轴承材质	
					国标	相当
TIMKEN	6	P0	标准游隙(CN/C0)	ZZ(双面带防尘盖式)	GCr15	SUJ2



TIMKEN

视角标准：第一视角

型号 代码	主要尺寸(mm)				基本额定载荷(KN)		极限转速(rpm)		安装相关尺寸(mm)				重量 (kg) 参考
	d	D	B	r <sub>1</sub> (min)	Cr(动)	Cor(静)	脂润滑	油润滑	d <sub>a</sub> (min)	d <sub>a</sub> (max)	D <sub>a</sub> (max)	r <sub>a</sub> (max)	
6000ZZ-TIMKEN	10	26	8	0.3	4.55	1.97	30000	36000	12	13.5	24.1	0.3	0.02
6200ZZ-TIMKEN		30	9	0.6	5.1	2.39	25000	30000	12.7	16	26	0.6	0.03
6300ZZ-TIMKEN		35	11	0.6			23000	27000	17	31	0.6	0.05	
6001ZZ-TIMKEN	12	28	8	0.3	6.8	3.05	28000	32000	14	16	26	0.3	0.02
6201ZZ-TIMKEN		32	10	0.6			22000	28000	14.7	17	28	0.6	0.04
6301ZZ-TIMKEN		37	12	0.6			9.75	4.25	20000	24000	16.7	18.5	32
6002ZZ-TIMKEN	15	32	9	0.3	5.6	2.84	24000	28000	17	19	30	0.3	0.03
6202ZZ-TIMKEN		35	11	0.6	7.65	3.7	20000	24000	17.9	20	31	0.6	0.05
6302ZZ-TIMKEN		42	13	0.6	11.4	5.4	17000	21000	19.8	23	37	1	0.08
6003ZZ-TIMKEN	17	35	10	0.3	6	3.25	22000	26000	19	21.5	33	0.3	0.04
6203ZZ-TIMKEN		40	12	0.6			18000	21000	20	23.5	36	0.6	0.07
6303ZZ-TIMKEN		47	14	0.6			13.6	6.55	16000	19000	22	25.5	42
6004ZZ-TIMKEN	20	42	12	0.3	9.4	5	18000	21000	24	26	38	0.6	0.07
6204ZZ-TIMKEN		47	14	0.6	12.8	6.6	16000	18000	24.6	28	42	1	0.11
6304ZZ-TIMKEN		52	15	0.6	15.9	7.9	14000	17000	25.8	28.5	45.5	1.1	0.14
6005ZZ-TIMKEN	25	47	12	0.3	10.1	5.85	15000	18000	29	30.5	43	0.6	0.08
6205ZZ-TIMKEN		52	15	0.6	14	7.9	13000	16000	30	32	47	1	0.13
6305ZZ-TIMKEN		62	17	0.6	23.6	12.1	12000	14000	31	36	55.5	1.1	0.23
6006ZZ-TIMKEN	30	55	13	0.3	19.5	11.3	13000	15000	37	50	1	0.12	
6206ZZ-TIMKEN		62	16	0.6			11000	13000	35	39	57	1	0.20
6306ZZ-TIMKEN		72	19	0.6			26.7	15	10000	12000	36.5	43	65.5
6007ZZ-TIMKEN	35	62	14	0.3	16	10.3	12000	14000	40	42	57	1	0.16
6207ZZ-TIMKEN		72	17	0.6	25.7	15.3	9800	11000	41	45	65.5	1.1	0.29
6307ZZ-TIMKEN		80	21	1.5	33.5	19.2	8800	10000	42.9	47	72	1.5	0.46
6008ZZ-TIMKEN	40	68	15	0.3	16.8	11.5	10000	12000	45	47.5	63	1	0.19
6208ZZ-TIMKEN		80	18	0.6	29.1	17.9	8700	10000	46	51	73.5	1.1	0.37
6308ZZ-TIMKEN		90	23	1.5			7800	9200	48	54	82	1.5	0.63
6009ZZ-TIMKEN	75	16	0.3	20.9			15.2	9200	11000	50	53.5	70	1
6209ZZ-TIMKEN	45	85	19	0.6	32.5	20.5	7800	9300	51	55.5	78.5	1.1	0.41
6309ZZ-TIMKEN		100	25	1.5	53	32	7000	8200	53	61.5	92	1.5	0.83
6010ZZ-TIMKEN		80	16	0.3	21.8	16.6	8500	10000	55	58.5	75	1	0.26
6210ZZ-TIMKEN	50	90	20	0.6	35	23.2	7100	8600	56	60	83.5	1.1	0.46
6310ZZ-TIMKEN		110	27	2	62	38	6400	7500	59	68.5	101	2	1.07
6011ZZ-TIMKEN		90	18	0.3	28.3	21.3	7700	9000	61.5	64.2	83.5	1.1	0.38
6211ZZ-TIMKEN	55	100	21	0.6	64	47	6400	7700	62	67	92	1.5	0.61
6311ZZ-TIMKEN		120	29	1.5			5800	6800	64	74	111	2	1.37
6012ZZ-TIMKEN		95	18	0.3			29.4	23.2	7100	8500	66.5	69.1	88.5
6212ZZ-TIMKEN	60	110	22	0.6	52.5	36	6000	7100	68	75	102	1.5	0.78
6312ZZ-TIMKEN		130	31	1.5	82	52	5400	6300	71	80.5	119	2.1	1.70
6013ZZ-TIMKEN		100	18	0.3	30.5	25.2	6700	8000	71.5	74	93.5	1.1	0.44
6213ZZ-TIMKEN	65	120	23	0.6	57	40	5500	6500	73	80.5	112	1.5	0.99
6313ZZ-TIMKEN		140	33	1.5	92.5	59.5	4900	6000	76	86	129	2.1	2.08
6014ZZ-TIMKEN		110	20	0.3	61.00	45.00	6100	7100	76.5	80.5	103.5	1.1	0.61
6214ZZ-TIMKEN	70	125	24	0.6	62	44	5100	6300	78	85	117	1.5	1.07
6314ZZ-TIMKEN		150	35	1.5	104	68	4600	5400	81	92.5	139	2.1	2.52
6015ZZ-TIMKEN		115	20	0.3	39.5	33.5	5700	6700	81.5	85.6	108.5	1.1	0.65
6215ZZ-TIMKEN	75	130	25	0.6	66	49.5	4800	5600	83	90.5	122	1.5	1.18
6315ZZ-TIMKEN		160	37	1.5	113	77	4300	5000	86	99	149	2.1	3.02
6016ZZ-TIMKEN		125	22	0.3	47.5	39.5	5300	6300	86.5	91.5	118.5	1.1	0.86
6216ZZ-TIMKEN	140	26	0.6	72.5	53	4500	5300	89	95.5	131	2	1.40	



型号  
6000ZZ-TIMKEN  
6200ZZ-TIMKEN



优惠价  
数量 1~49 50~  
价格 100% 另行报价

