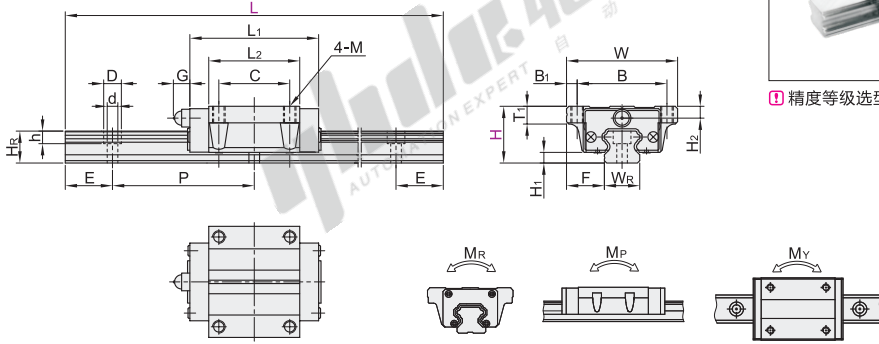


| 代码 | 类型 | 精度等级 | 滑块固定方式 | 滑块数量 | 导轨固定方式 | 材质 |
|-------|----|------|--------|------|--------|-----|
| IBJ31 | 组件 | 高级 | 上锁式 | 单滑块 | 上锁式 | 合金钢 |
| IBJ33 | | | | 双滑块 | | |



① 精度等级选型参照P1390页。



② 静态容许力矩, $M_R/M_P/M_Y$ 的数值请参考下表。



| 代码 | 型号 | H | L | H_1 | F | 滑块尺寸 | | | | | | | | | |
|----------------|----|----|----------|-------|------|-------|----|-------|----|-------|-------|----|-----|-------|-------|
| | | | | | | W_R | B | B_1 | C | L_1 | L_2 | G | M | T_1 | H_2 |
| IBJ31 IBJ33 | 24 | 24 | 100~1480 | 4.3 | 16 | 47 | 38 | 4.5 | 30 | 56.5 | 38.5 | 6 | M5 | 7.5 | 5 |
| | 30 | 30 | 100~1480 | 6 | 21.5 | 63 | 53 | 5 | 40 | 71.6 | 53.2 | | M6 | 10.5 | 8 |
| | 36 | 36 | 100~1480 | 7 | 23.5 | 70 | 57 | 6.5 | 45 | 80 | 59 | 12 | M8 | 12.5 | 9.5 |
| | 42 | 42 | 200~1480 | 9.5 | 31 | 90 | 72 | 9 | 52 | 95.7 | 67.7 | | M10 | 10 | 9 |

① L尺寸的最小值由滑块长度与滑块数量而定, 请确认。

| 滑块尺寸 | | | | | | | 基本额定负载(KN) | | | 容许静力矩(KN·M) | | | 重量 | |
|-------|-------|-----|-----|-----|----|-------|------------|-----------|-------|-------------|--------|--------|----------|--|
| W_R | H_R | D | h | d | P | 固定螺钉 | C(动) | C_0 (静) | M_R | M_P | M_Y | 滑块(kg) | 滑轨(kg/m) | |
| 15 | 13.5 | 7.5 | 5.3 | 4.5 | | M4×16 | 10.6 | 16.2 | 0.126 | 0.0995 | 0.0995 | 0.2 | 1.3 | |
| 20 | 16 | 9.5 | 8.5 | 6 | 60 | M5×16 | 18.3 | 27.5 | 0.296 | 0.226 | 0.226 | 0.4 | 2.1 | |
| 23 | 20 | 11 | 9 | 7 | | M6×20 | 24.7 | 36.3 | 0.437 | 0.334 | 0.334 | 0.6 | 3 | |
| 28 | 24 | 14 | 12 | 9 | 80 | M8×25 | 33.6 | 49.2 | 0.716 | 0.528 | 0.528 | 1 | 4.6 | |

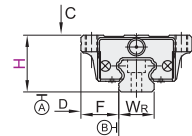
■ N(安装孔数)/E(螺钉中心孔至端面距离)

■ N(安装孔数)/E(螺钉中心孔至端面距离)

| H | L | N | E | H | L | N | E |
|-----------|-----------|-----------|----------------------------------|----|-----------|--------|----|
| | 最小单位1 | (安装孔数) | | | 最小单位1 | (安装孔数) | |
| 24 | 100~131 | 2 | $E = \frac{L-(N-1) \times P}{2}$ | 30 | 1400~1459 | 24 | 36 |
| | 132~191 | 3 | | | 1460~1480 | 25 | |
| | 192~251 | 4 | | | 100~139 | 2 | |
| | 252~311 | 5 | | | 140~199 | 3 | |
| | 312~371 | 6 | | | 200~261 | 4 | |
| | 372~431 | 7 | | | 262~321 | 5 | |
| | 432~491 | 8 | | | 322~381 | 6 | |
| | 492~551 | 9 | | | 382~441 | 7 | |
| | 552~611 | 10 | | | 442~501 | 8 | |
| | 612~671 | 11 | | | 502~561 | 9 | |
| | 672~731 | 12 | | | 562~621 | 10 | |
| | 732~791 | 13 | | | 622~681 | 11 | |
| | 792~851 | 14 | | | 682~741 | 12 | |
| | 852~911 | 15 | | | 742~801 | 13 | |
| | 912~971 | 16 | | | 802~861 | 14 | |
| | 972~1031 | 17 | | | 862~921 | 15 | |
| | 1032~1091 | 18 | | | 922~981 | 16 | |
| | 1092~1151 | 19 | | | 982~1041 | 17 | |
| | 1152~1211 | 20 | | | 1042~1101 | 18 | |
| | 1212~1271 | 21 | | | 1102~1161 | 19 | |
| 1272~1331 | 22 | 1162~1221 | 20 | | | | |
| 1332~1391 | 23 | 1222~1281 | 21 | | | | |
| 1392~1451 | 24 | 1282~1341 | 22 | | | | |
| 1452~1480 | 25 | 1342~1401 | 23 | | | | |
| 30 | 100~139 | 2 | $E = \frac{L-(N-1) \times P}{2}$ | 42 | 1402~1461 | 24 | 48 |
| | 140~199 | 3 | | | 1462~1480 | 25 | |
| | 200~259 | 4 | | | 200~279 | 3 | |
| | 260~319 | 5 | | | 280~343 | 4 | |
| | 320~379 | 6 | | | 344~423 | 5 | |
| | 380~439 | 7 | | | 424~503 | 6 | |
| | 440~499 | 8 | | | 504~583 | 7 | |
| | 500~559 | 9 | | | 584~663 | 8 | |
| | 560~619 | 10 | | | 664~743 | 9 | |
| | 620~679 | 11 | | | 744~823 | 10 | |
| | 680~739 | 12 | | | 824~903 | 11 | |
| | 740~799 | 13 | | | 904~983 | 12 | |
| | 800~859 | 14 | | | 984~1063 | 13 | |
| | 860~919 | 15 | | | 1064~1143 | 14 | |
| | 920~979 | 16 | | | 1144~1223 | 15 | |
| | 980~1039 | 17 | | | 1224~1303 | 16 | |
| | 1040~1099 | 18 | | | 1304~1383 | 17 | |
| | 1100~1159 | 19 | | | 1384~1463 | 18 | |
| | 1160~1219 | 20 | | | 1464~1480 | 19 | |
| | 1220~1279 | 21 | | | | | |
| 1280~1339 | 22 | | | | | | |
| 1340~1399 | 23 | | | | | | |

① P: 螺钉孔间距离

② E: 螺钉中心孔至端面距离



③ 精度基准

| 尺寸精度 | 24 | 30 | 36 | 42 |
|-----------------|----------------|------|----|----|
| | 单滑块 高度H的容许尺寸误差 | ±0.1 | | |
| 宽度F的容许尺寸误差 | ±0.1 | | | |
| 双滑块 高度H的相互误差 | 0.02 | | | |
| 宽度F的相互误差(基准轴) | 0.02 | 0.03 | | |
| 滑块C面对滑轨A面的行走平行度 | 请参阅行走精度表P1390 | | | |
| 滑块D面对滑轨B面的行走平行度 | 请参阅行走精度表P1390 | | | |



| 型号 | | |
|-------|----|----------|
| 代码 | H | L |
| IBJ31 | 24 | 100~1480 |
| IBJ33 | 30 | 100~1480 |
| IBJ33 | 36 | 100~1480 |

IBJ31 - H30 - L260



● 优惠价

| | | |
|----|------|------|
| 数量 | 1~4 | 5~ |
| 价格 | 100% | 另行报价 |



交货期

5