

欧标40槽宽8.2系列型材用配件-连接部分

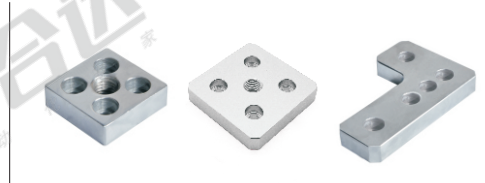
脚杯连接板

脚杯连接板

代码	类型	材质	表面处理
ACF01-G408	脚杯连接板	A6061/ADC12	喷砂氧化
ACF23-G408		碳钢	镀铬

① 用于型材与脚杯之间的连接。

② ACF01系列型号中带J的材质是：ADC12，不带J的材质是：A6061。

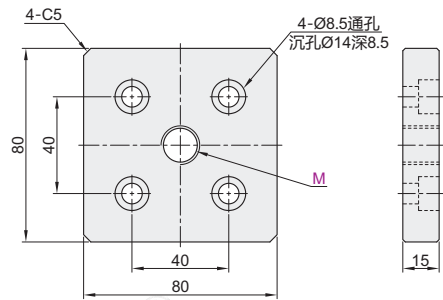
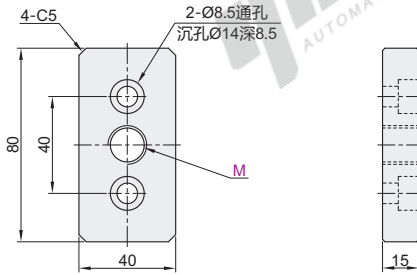


ACF01-G408-4080-M12
ACF01-G408-J4080-M12
ACF23-G408-4080-M12

ACF01-G408-4080-M16
ACF01-G408-J4080-M16
ACF23-G408-4080-M16

ACF01-G408-8080-M12
ACF01-G408-J8080-M12
ACF23-G408-8080-M12

ACF01-G408-8080-M16
ACF01-G408-J8080-M16
ACF23-G408-8080-M16

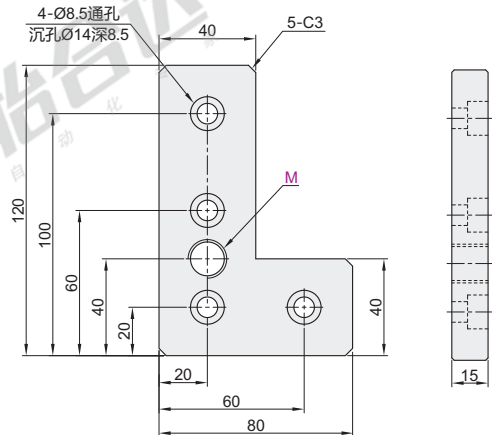
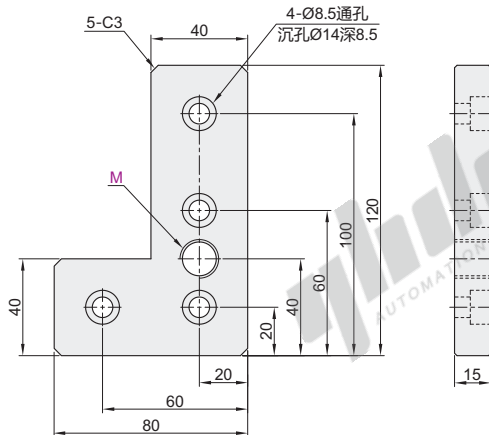


ACF01-G408-4080-L-M12
ACF23-G408-4080-L-M12

ACF01-G408-4080-L-M16
ACF23-G408-4080-L-M16

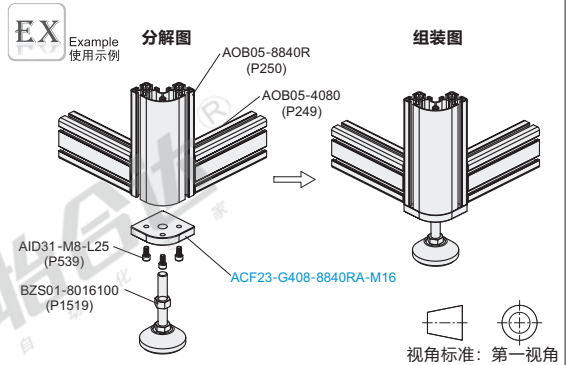
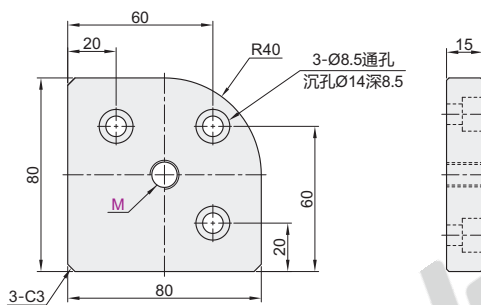
ACF01-G408-4080-R-M12
ACF23-G408-4080-R-M12

ACF01-G408-4080-R-M16
ACF23-G408-4080-R-M16



ACF01-G408-8840RA-M12
ACF23-G408-8840RA-M12

ACF01-G408-8840RA-M16
ACF23-G408-8840RA-M16



代码	重量(g/pcs)
ACF01-G408-4080-M12	115
ACF01-G408-4080-M16	111
ACF01-G408-J4080-M12	119
ACF01-G408-J4080-M16	116
ACF23-G408-4080-M12	319
ACF23-G408-4080-M16	317
ACF01-G408-8080-M12	233
ACF01-G408-8080-M16	230

代码	重量(g/pcs)
ACF01-G408-J8080-M12	242
ACF01-G408-J8080-M16	239
ACF23-G408-8080-M12	720
ACF23-G408-8080-M16	710
ACF01-G408-4080-L-M12	235
ACF01-G408-4080-L-M16	231
ACF23-G408-4080-L-M12	701
ACF23-G408-4080-L-M16	682

代码	重量(g/pcs)
ACF01-G408-4080-R-M12	235
ACF01-G408-4080-R-M16	231
ACF23-G408-4080-R-M12	701
ACF23-G408-4080-R-M16	682
ACF01-G408-8840RA-M12	227
ACF01-G408-8840RA-M16	224
ACF23-G408-8840RA-M12	655
ACF23-G408-8840RA-M16	645



请按图示订货

型号

ACF01-G408-4080-M12
ACF01-G408-4080-M16

脚杯连接板

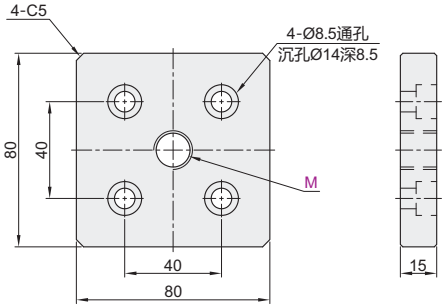
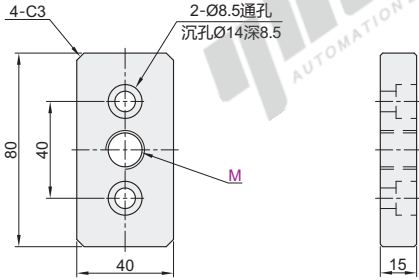
代码	类型	材质	表面处理
ACF01-G408	脚杯连接板	A6061/ADC12	喷砂氧化
ACF23-G408		碳钢	镀铬

- ① 用于型材与脚杯之间的连接。
- ② ACF01系列中带J的型号材质为ADC12，不带J的型号材质为A6061。



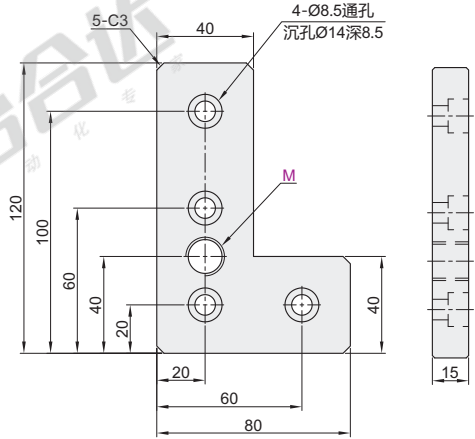
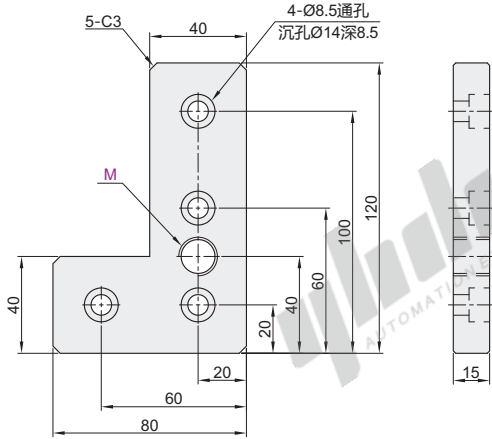
- ACF01-G408-4080-M12 ACF01-G408-4080-M16
- ACF01-G408-J4080-M12 ACF01-G408-J4080-M16
- ACF23-G408-4080-M12 ACF23-G408-4080-M16

- ACF01-G408-8080-M12 ACF01-G408-8080-M16
- ACF01-G408-J8080-M12 ACF01-G408-J8080-M16
- ACF23-G408-8080-M12 ACF23-G408-8080-M16

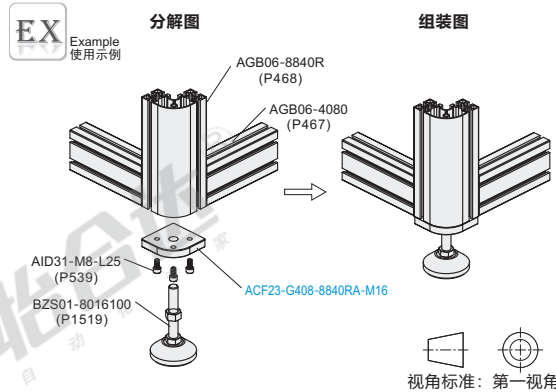
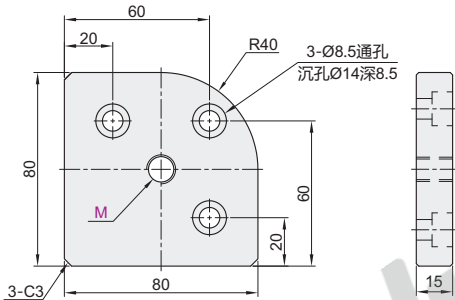


- ACF01-G408-4080-L-M12 ACF01-G408-4080-L-M16
- ACF23-G408-4080-L-M12 ACF23-G408-4080-L-M16

- ACF01-G408-4080-R-M12 ACF01-G408-4080-R-M16
- ACF23-G408-4080-R-M12 ACF23-G408-4080-R-M16



- ACF01-G408-8840RA-M12
- ACF01-G408-8840RA-M16
- ACF23-G408-8840RA-M12
- ACF23-G408-8840RA-M16



代码	重量 (g/pcs)	代码	重量 (g/pcs)	代码	重量 (g/pcs)
ACF01-G408-4080-M12	115	ACF01-G408-J8080-M12	242	ACF01-G408-4080-R-M12	235
ACF01-G408-4080-M16	111	ACF01-G408-J8080-M16	239	ACF01-G408-4080-R-M16	231
ACF01-G408-J4080-M12	119	ACF23-G408-8080-M12	720	ACF23-G408-4080-R-M12	701
ACF01-G408-J4080-M16	116	ACF23-G408-8080-M16	710	ACF23-G408-4080-R-M16	682
ACF23-G408-4080-M12	319	ACF01-G408-4080-L-M12	235	ACF01-G408-8840RA-M12	227
ACF23-G408-4080-M16	317	ACF01-G408-4080-L-M16	231	ACF01-G408-8840RA-M16	224
ACF01-G408-8080-M12	233	ACF23-G408-4080-L-M12	701	ACF23-G408-8840RA-M12	655
ACF01-G408-8080-M16	230	ACF23-G408-4080-L-M16	682	ACF23-G408-8840RA-M16	645



型号
ACF23-G408-4080-M16
ACF23-G408-8080-M16
ACF23-G408-4080-L-M16