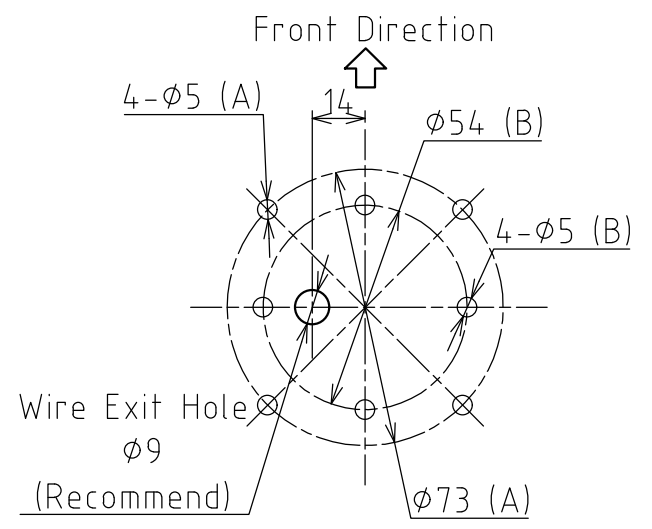


Model No. Configuration

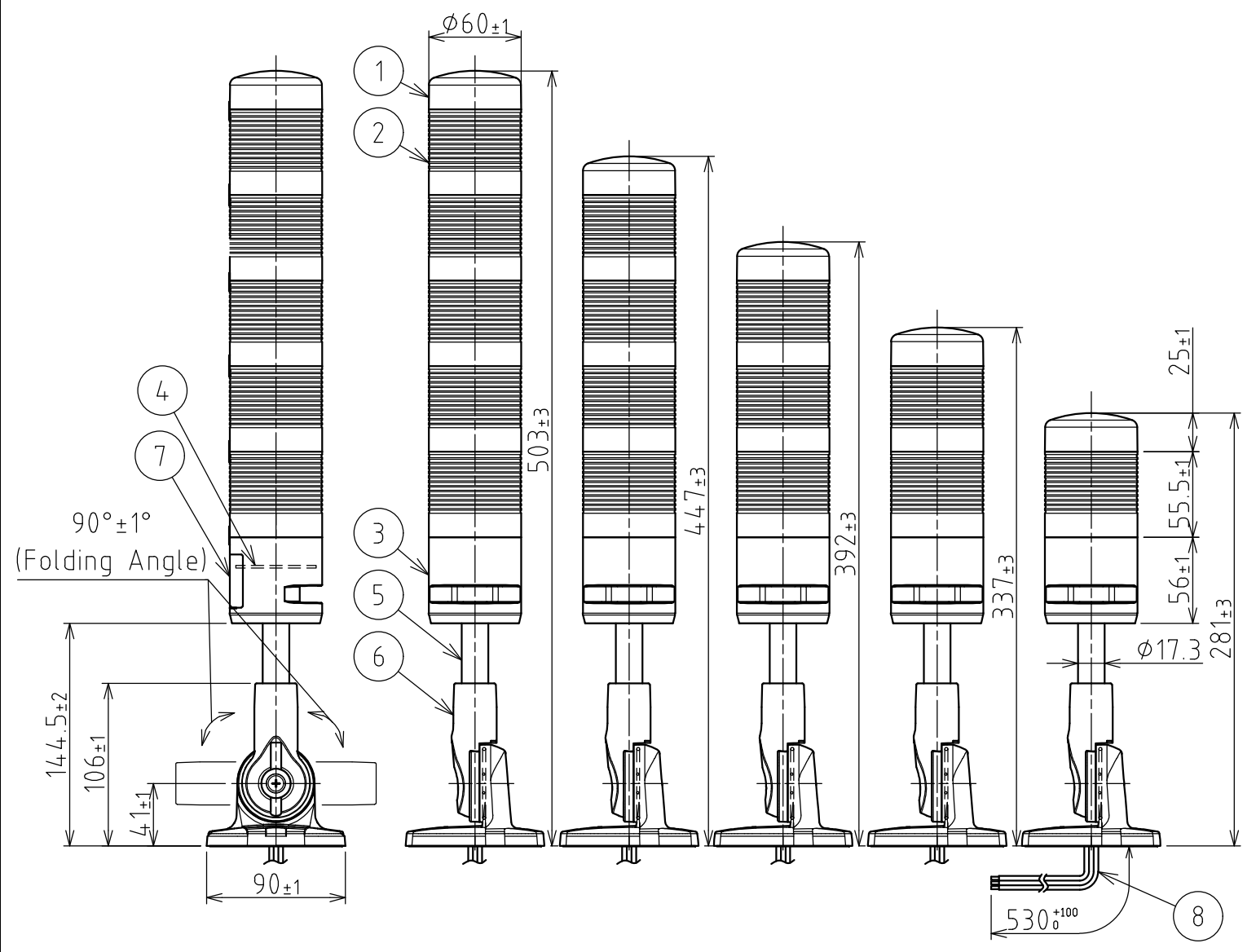
MR6-□ 02BQ -□ □ □ □ □

- Light Style
 - 1:1 Tiers
 - 2:2 Tiers
 - 3:3 Tiers
 - 4:4 Tiers
 - 5:5 Tiers
- LED Unit Color
(R:Red / Y:Amber / G:Green / B:Blue / C:White)
* Lens Color from top to bottom
- Type
B:Continuous Light and Alarm
Blank:Continuous Light
- Rated Voltage
02:24V DC

Mounting Hole Template (1:2)

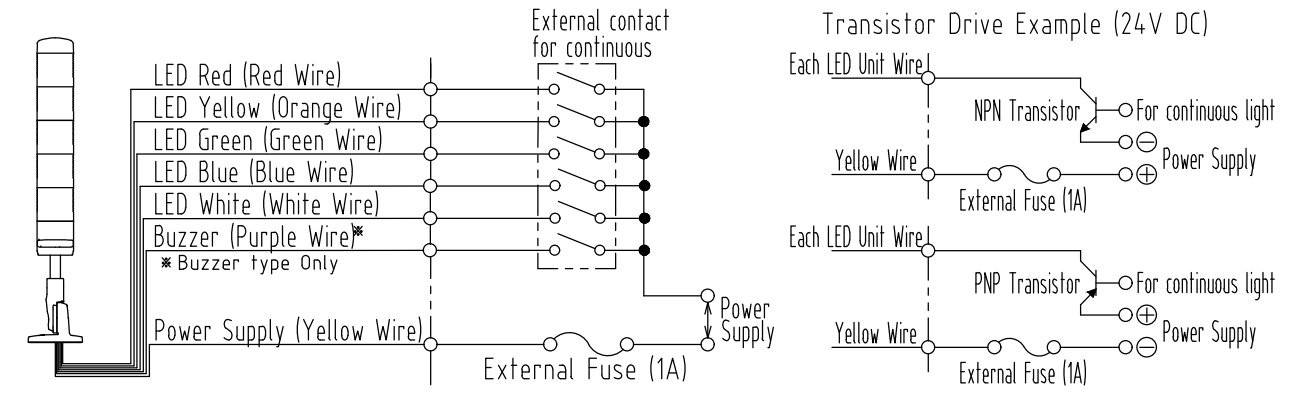


Dimensions



Wiring Example

(Wire:UL1007/AWG24)



8	Power Wire Assembly	1	
7	Nameplate	1	
6	Tilt Bracket	1	ABS Light Gray
5	Pole	1	AL Silver
4	Buzzer PCB Assembly	1	(Buzzer type only)
3	Body	1	ABS Light Gray
2	LED Unit	1~5	PC(Red,Amber,Green,Blue,White)
4	Head Cover	1	ABS Light Gray
番号 No.	部品名 Part Name	数量 Qty.	記事 Remarks

機種 Model	MR6-□ 02(B)Q	特注No. S.P.No.	-	図名 Name	Outer Dimensions Drawing
品目コード Part No.	-	尺度 Scale	-	三角法 3rd Angle P.	単位 Unit mm
				株式会社 PATLITE Corporation	

Model No. Configuration

MR6-□ 02BL-□□□□□

Light Style

- 1:1 Tier
- 2:2 Tiers
- 3:3 Tiers
- 4:4 Tiers
- 5:5 Tiers

Rated Voltage

02:24V DC

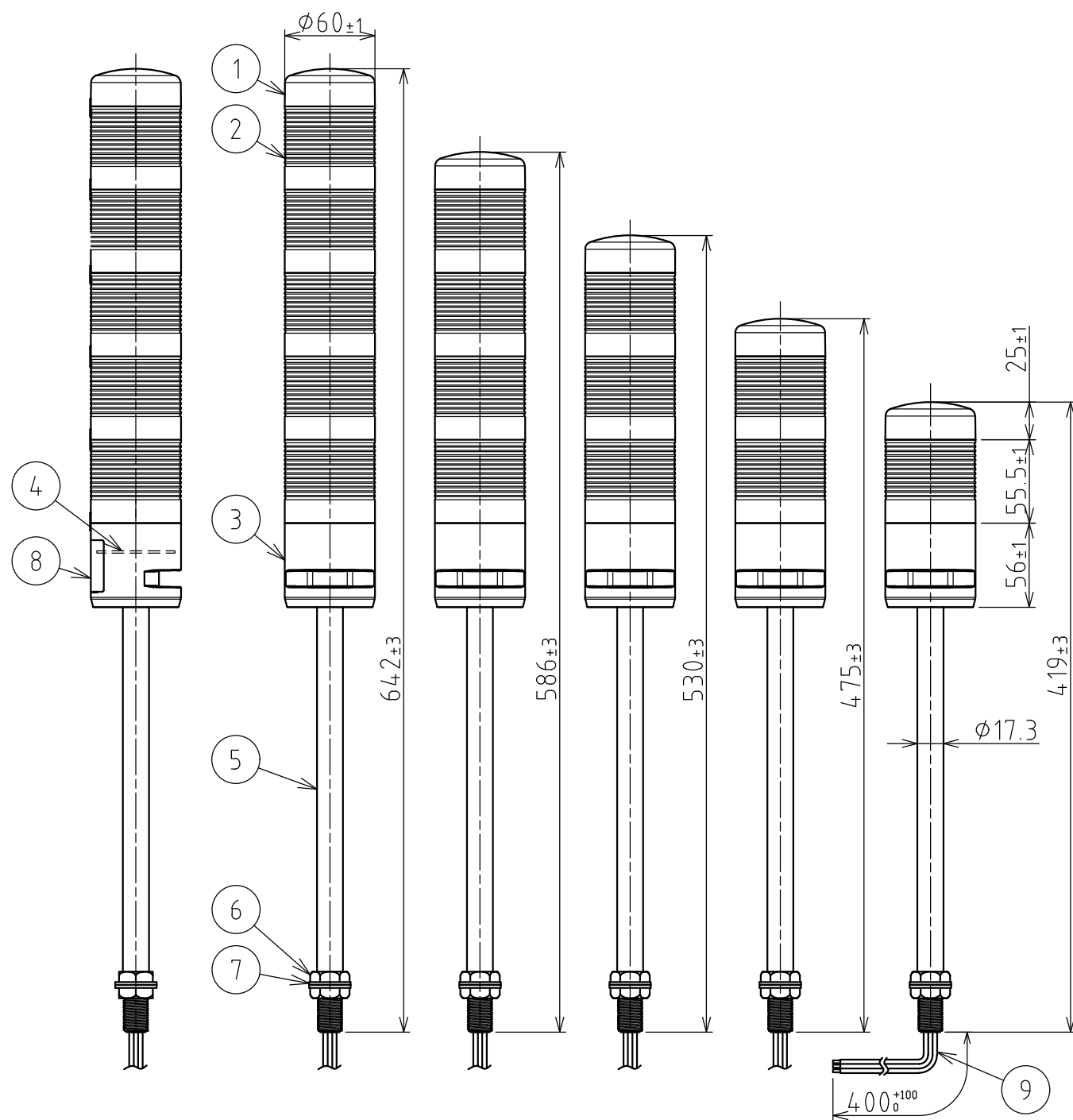
Type

- B:Continuous Light and Alarm
- Blank:Continuous Light

LED Unit Color

(R:Red / Y:Amber / G:Green / B:Blue / C:White)
* Lens Color from top to bottom

Dimensions

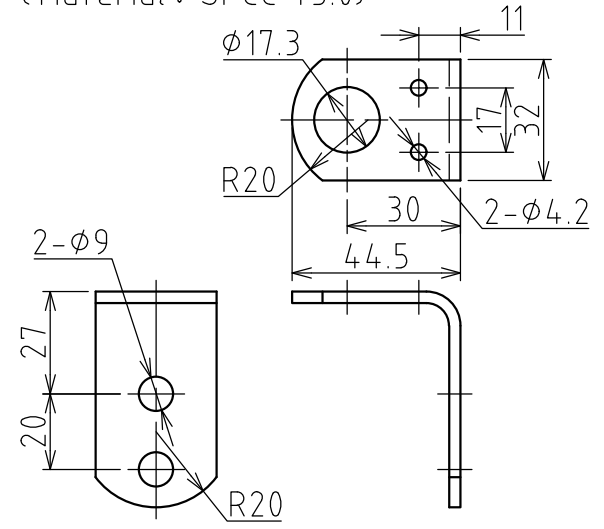


指定公差 General tolerance	角度公差 Angular tolerance ±[°]			寸法公差 Dimensional tolerance ±[mm]							
	短辺長さ Length of short side	~	~100	6	30	120	300	1000			
	精 f	1	0.5	0.3	0.1	中 m	0.1	0.3	0.5	0.7	1
	粗 v	3	1.5	1	0.5	粗 c	0.3	0.5	1	1.2	2

図番 Drawing No.	MR6-502L-W18	
改訂 Rev.	年月日 Date	改訂履歴 Revisions

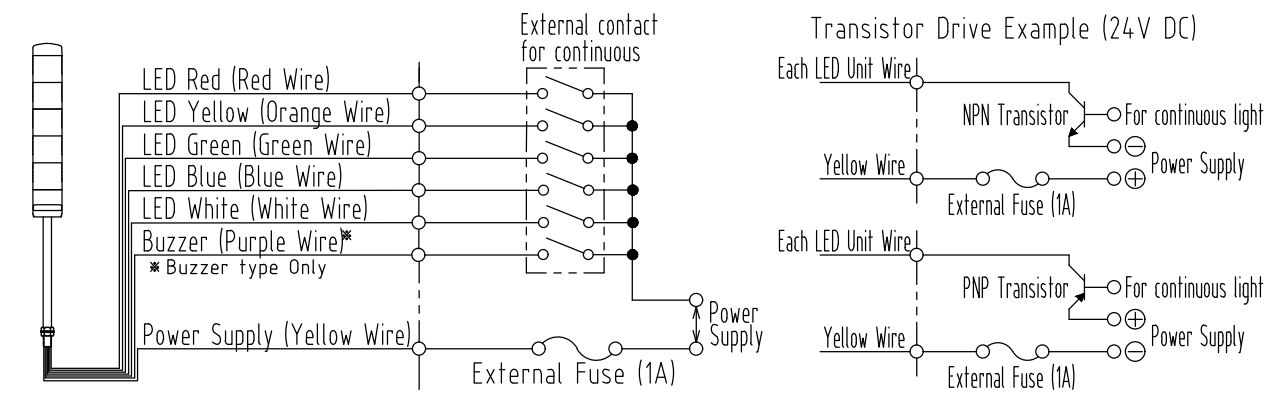
Accessory

L-Bracket Dimensions
(Material: SPCC t3.0)



Wiring Example

(Wire:UL1007/AWG24)



9	Power Wire Assembly	1	
8	Nameplate	1	
7	Flat Washer	2	φ 28× φ 17.5 t=2.0
6	Hexagon Nut	2	M17,P1.5,Oppsite side 23
5	Pole	1	AL Silver
4	Buzzer PCB Assembly	1	(Buzzer type only)
3	Body	1	ABS Light Gray
2	LED Unit	1~5	PC(Red,Amber,Green,Blue,White)
4	Head Cover	1	ABS Light Gray
番号 No.	部品名 Part Name	数量 Qty.	記事 Remarks

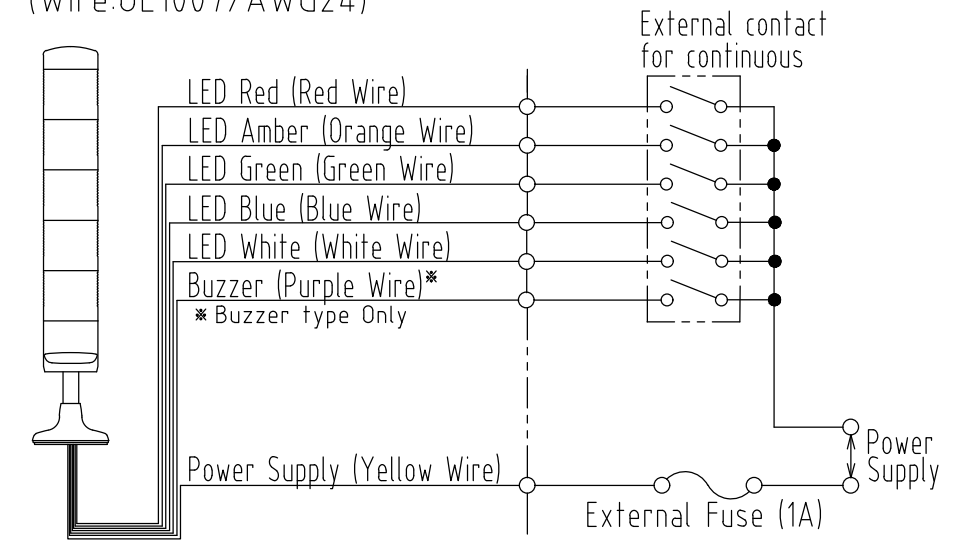
機種 Model	MR6-□ 02(B)L	特注 No. S.P.No.	-	図名 Name	Outer Dimensions Drawing
品目コード Part No.	-	尺度 Scale	-	三角法 3rd Angle P.	単位 Unit mm
				株式会社 パトライト PATLITE Corporation	

Model No. configuration

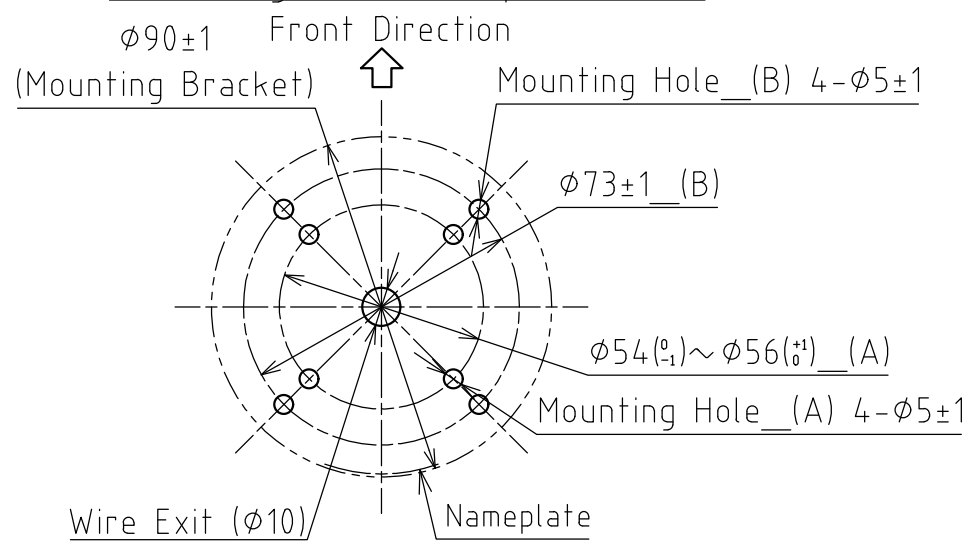
MR6-□02B-□□□□□

- Light Style
 - 1:1 Tier
 - 2:2 Tiers
 - 3:3 Tiers
 - 4:4 Tiers
 - 5:5 Tiers
- LED Unit Color
(R:Red / Y:Amber / G:Green / B:Blue / C:White)
* Lens color from top to bottom
- Type
B:Continuous Light and Alarm
Blank:Continuous Light
- Rated Voltage
02:24V DC

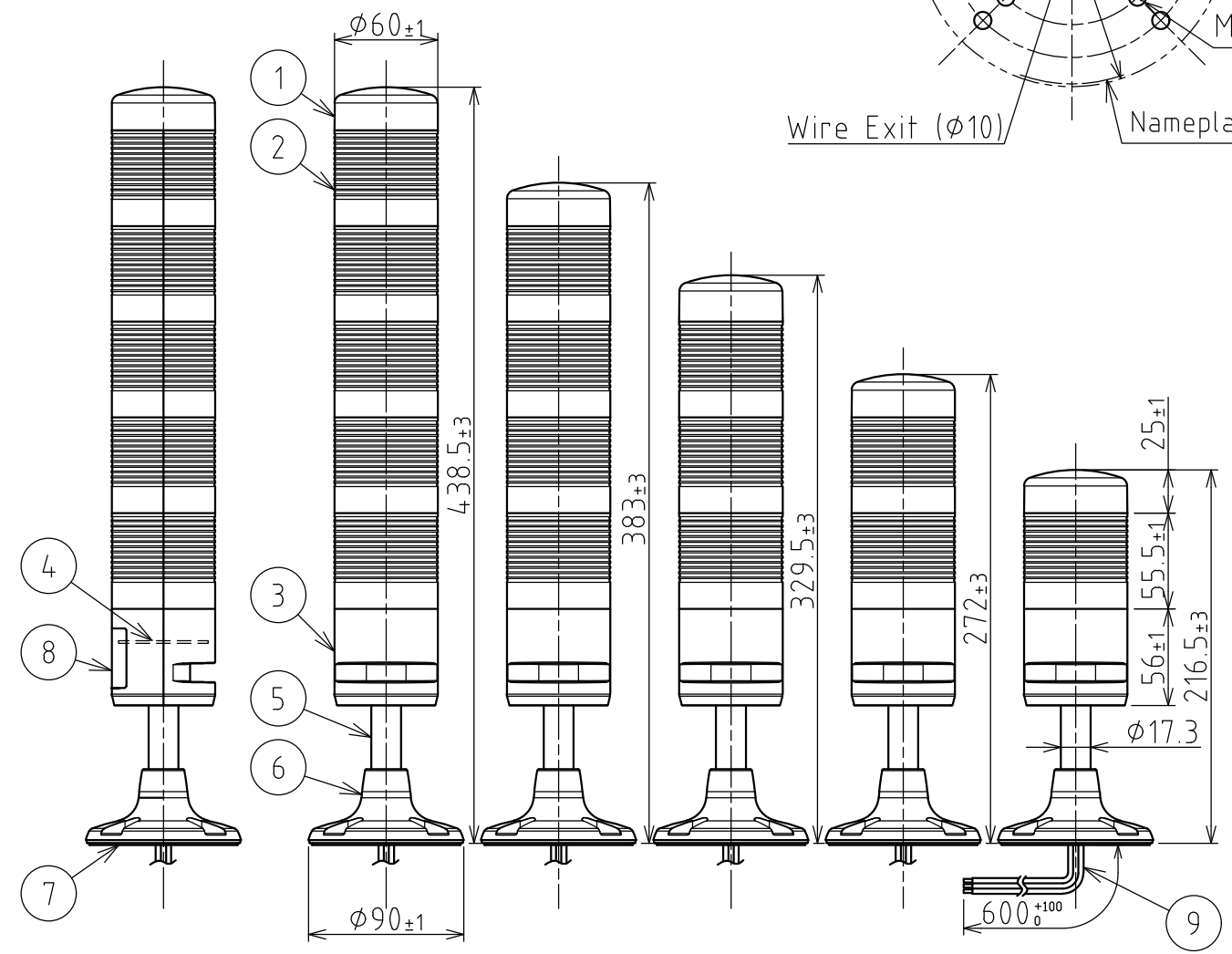
Wiring Example
(Wire:UL1007/AWG24)



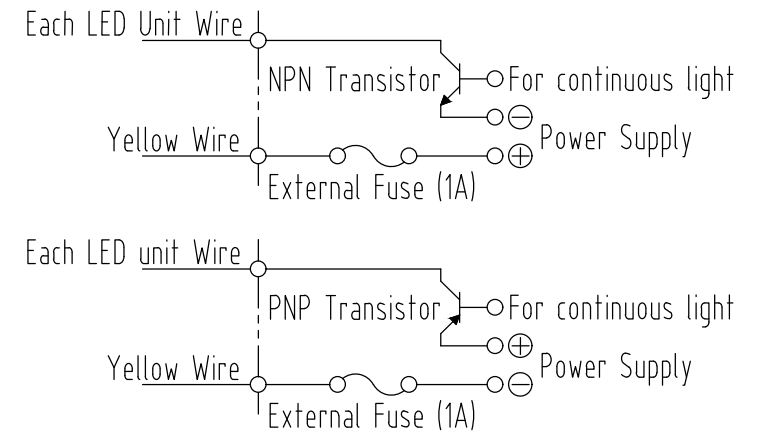
Mounting Hole Template (1:2)



Dimensions



Transistor Drive Example (24V DC)



9	Power Wire Assembly	1	
8	Nameplate	1	
7	Water Proof Packing	1	CR Black
6	Mounting Bracket	1	ABS Light Gray
5	Pole	1	AL
4	Buzzer PCB Assembly	1	(Buzzer type only)
3	Body	1	ABS Light Gray
2	LED Unit	1~5	PC(Red,Amber,Green,Blue,White)
4	Head Cover	1	ABS Light Gray
番号 No.	部品名 Part Name	数量 Qty.	記事 Remarks

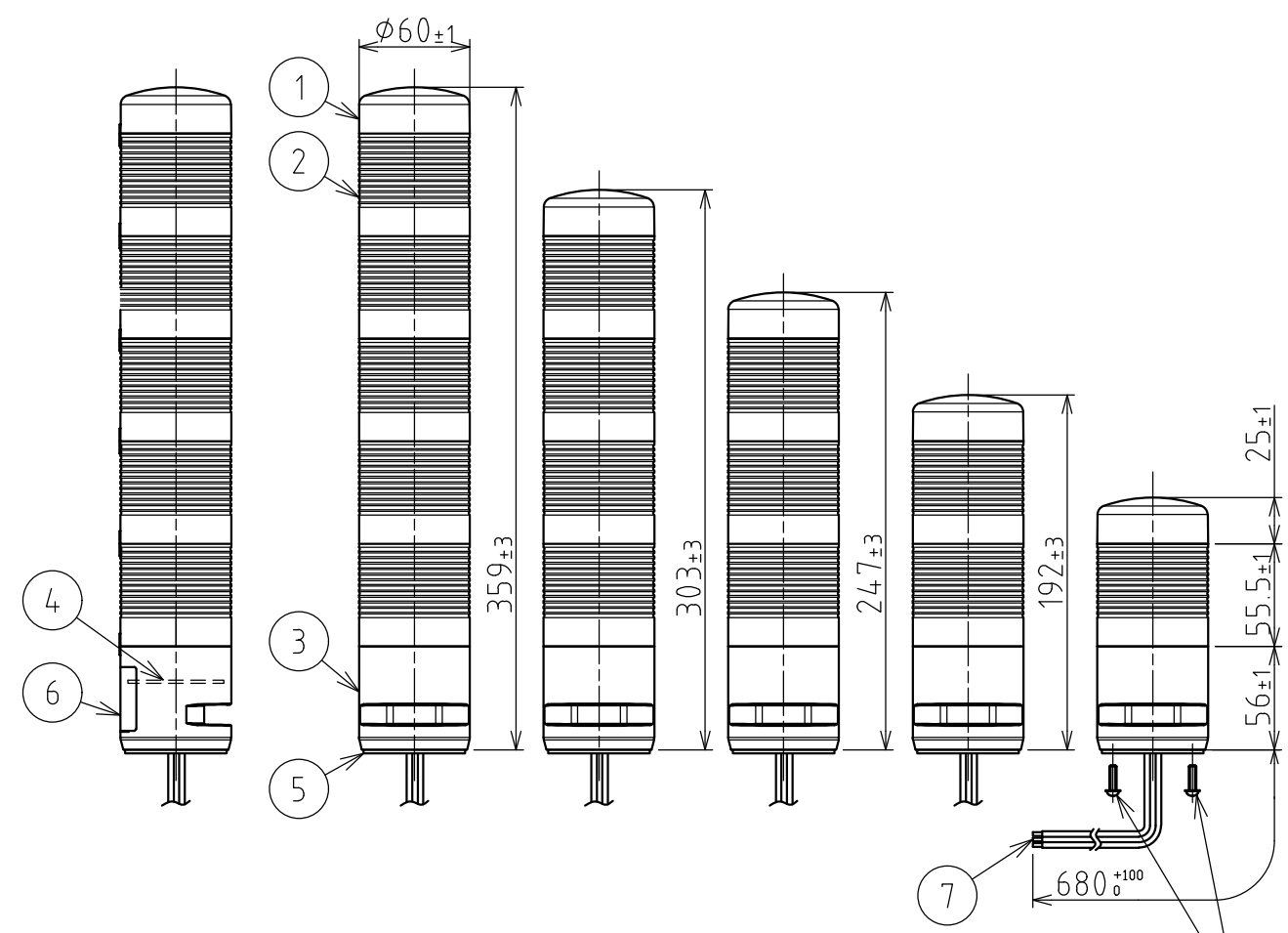
機種 Model	MR6-□02(B)	特注 No. S.P.No.	-	図名 Name	Outer Dimensions Drawing
品目コード Part No.	-	尺度 Scale	-	三角法 3rd Angle P.	単位 Unit mm
				株式会社 パトライト PATLITE Corporation	

Model No. Configuration

MR6-□ 02BW-□□□□□

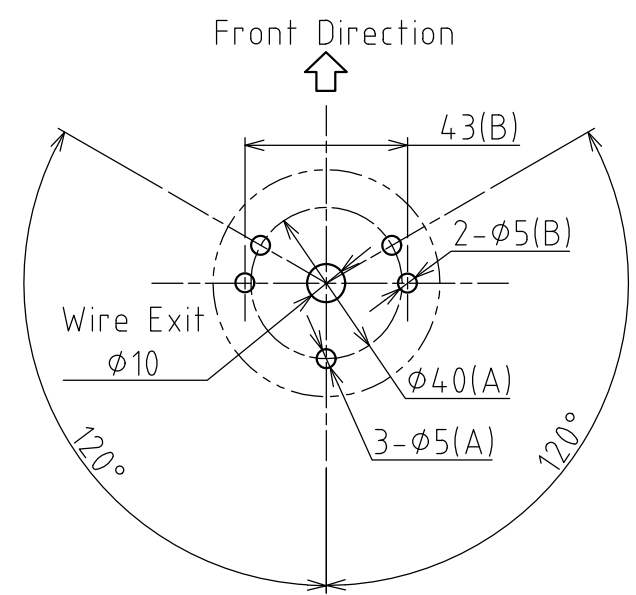
- Light Style
 - 1:1 Tier
 - 2:2 Tiers
 - 3:3 Tiers
 - 4:4 Tiers
 - 5:5 Tiers
- LED Unit Color
(R:Red / Y:Amber / G:Green / B:Blue / C:White)
* Lens Color from top to bottom
- Type
B:Continuous Light and Alarm
Blank:Continuous Light
- Rated Voltage
02:24V DC

Dimensions



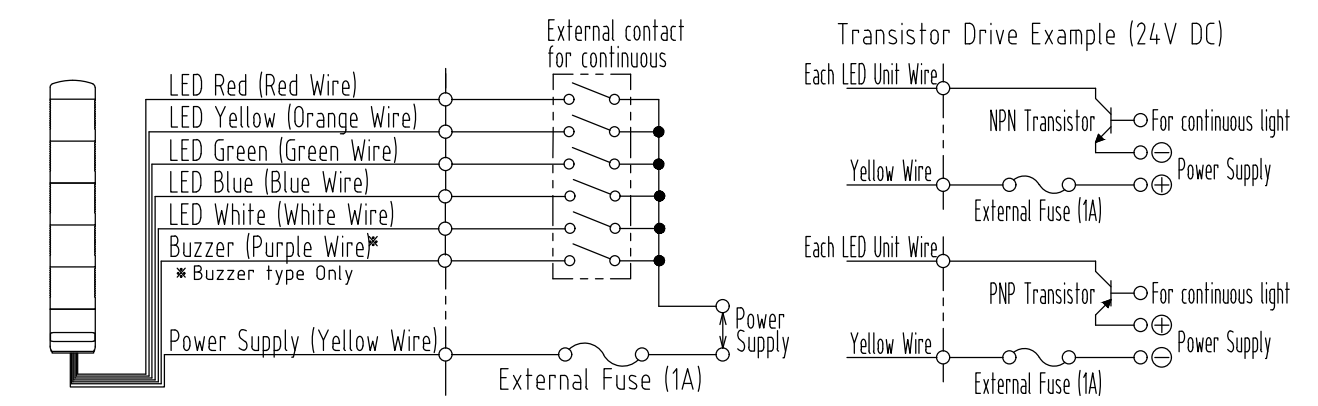
Tapping Screw (4X15)* Accessory
Installable thickness of a panel board : 10mm

Mounting Hole Template (1:2)



Wiring Example

(Wire:UL1007/AWG24)



7	Power Wire Assembly	1	
6	Nameplate	1	
5	Water Proof Packing	1	CR
4	Buzzer PCB Assembly	1	(Buzzer type only)
3	Body	1	Light Gray
2	LED Unit	1~5	PC(Red,Amber,Green,Blue,White)
4	Head Cover	1	Light Gray
番号 No.	部品名 Part Name	数量 Qty.	記事 Remarks

機種 Model	MR6-□ 02(B)W	特注No. S.P.No.	-	図名 Name	Outer Dimensions Drawing
品目コード Part No.	-	尺度 Scale	-	三角法 3rd Angle P.	単位 Unit mm
				株式会社 PATLITE Corporation	