

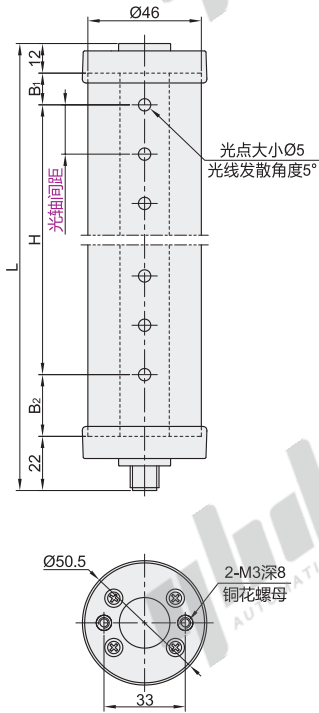
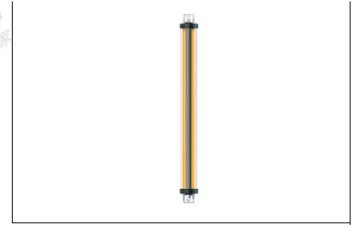
# 安全光栅

## 防水型

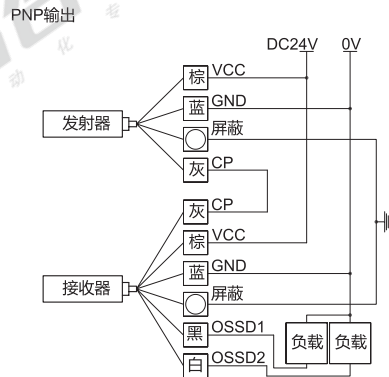
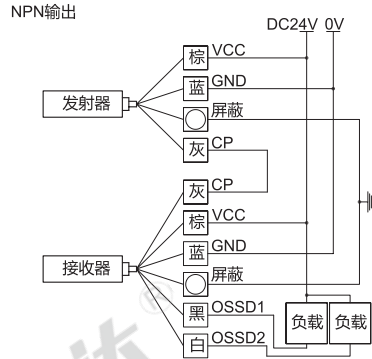
| 代码    | 类型   |     |
|-------|------|-----|
| ZOB11 | 安全光栅 | 防水型 |

### 产品特点

- 防水等级高，防护等级达IP68；
  - 抗电磁干扰能力强，能够有效抗击设备电机的各种电磁干扰影响；
  - 采用线同步技术：抗光干扰能力强。
- ① 配套线缆：发射端2.5m，接收端3.5m，线缆直径6mm，最小弯曲半径20mm。

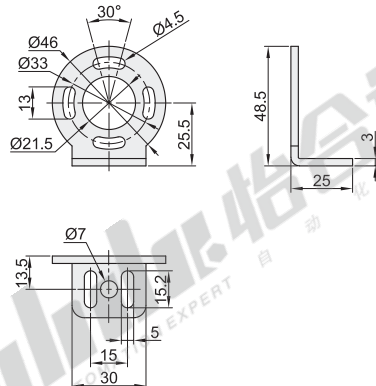


### 接线图



### 可选配件

06(上下安装支架)



① 当选择06(上下安装支架)时，附带配件①螺丝M6×12(4PCS)，②螺丝M4×8(8PCS)。



# 安全光栅

## 防水型

| 型号    | 光束数  | 光轴间距          | 信号输出方式 | 可选配件 | 检测距离 (m) | H<br>有效保护高度   | L<br>光栅总高度       | B1 | B2  |            |  |                      |     |     |    |    |    |
|-------|------|---------------|--------|------|----------|---------------|------------------|----|-----|------------|--|----------------------|-----|-----|----|----|----|
| ZOB11 | 8    | K10<br>(10mm) |        |      |          | 70            | 139              | 5  | 30  |            |  |                      |     |     |    |    |    |
|       | 12   |               |        |      |          | 110           | 179              |    |     |            |  |                      |     |     |    |    |    |
|       | 16   |               |        |      |          | 150           | 219              |    |     |            |  |                      |     |     |    |    |    |
|       | 20   |               |        |      |          | 190           | 259              |    |     |            |  |                      |     |     |    |    |    |
|       | 24   |               |        |      |          | 230           | 299              |    |     |            |  |                      |     |     |    |    |    |
|       | 28   |               |        |      |          | 270           | 339              |    |     |            |  |                      |     |     |    |    |    |
|       | 32   |               |        |      |          | 310           | 379              |    |     |            |  |                      |     |     |    |    |    |
|       | 36   |               |        |      |          | 350           | 419              |    |     |            |  |                      |     |     |    |    |    |
|       | 40   |               |        |      |          | 390           | 459              |    |     |            |  |                      |     |     |    |    |    |
|       | 44   |               |        |      |          | 430           | 499              |    |     |            |  |                      |     |     |    |    |    |
|       | 48   |               |        |      |          | 470           | 539              |    |     |            |  |                      |     |     |    |    |    |
|       | 52   |               |        |      |          | 510           | 579              |    |     |            |  |                      |     |     |    |    |    |
|       | 56   |               |        |      |          | 550           | 619              |    |     |            |  |                      |     |     |    |    |    |
|       | 60   |               |        |      |          | 590           | 659              |    |     |            |  |                      |     |     |    |    |    |
|       | 64   |               |        |      |          | 630           | 699              |    |     |            |  |                      |     |     |    |    |    |
|       | 68   |               |        |      |          | 670           | 739              |    |     |            |  |                      |     |     |    |    |    |
|       | 72   |               |        |      |          | 710           | 779              |    |     |            |  |                      |     |     |    |    |    |
|       | 6    |               |        |      |          | K20<br>(20mm) | A(NPN)<br>B(PNP) |    |     | 06(上下安装支架) |  | 2(0.1~2)<br>4(0.1~4) | 100 | 179 | 10 | 35 |    |
|       | 8    | 140           | 219    |      |          |               |                  |    |     |            |  |                      |     |     |    |    |    |
|       | 10   | 180           | 259    |      |          |               |                  |    |     |            |  |                      |     |     |    |    |    |
|       | 12   | 220           | 299    |      |          |               |                  |    |     |            |  |                      |     |     |    |    |    |
|       | 14   | 260           | 339    |      |          |               |                  |    |     |            |  |                      |     |     |    |    |    |
|       | 16   | 300           | 379    |      |          |               |                  |    |     |            |  |                      |     |     |    |    |    |
|       | 18   | 340           | 419    |      |          |               |                  |    |     |            |  |                      |     |     |    |    |    |
|       | 20   | 380           | 459    |      |          |               |                  |    |     |            |  |                      |     |     |    |    |    |
|       | 22   | 420           | 499    |      |          |               |                  |    |     |            |  |                      |     |     |    |    |    |
|       | 24   | 460           | 539    |      |          |               |                  |    |     |            |  |                      |     |     |    |    |    |
|       | 26   | 500           | 579    |      |          |               |                  |    |     |            |  |                      |     |     |    |    |    |
|       | 28   | 540           | 619    |      |          |               |                  |    |     |            |  |                      |     |     |    |    |    |
|       | 30   | 580           | 659    |      |          |               |                  |    |     |            |  |                      |     |     |    |    |    |
|       | 32   | 620           | 699    |      |          |               |                  |    |     |            |  |                      |     |     |    |    |    |
|       | 34   | 660           | 739    |      |          |               |                  |    |     |            |  |                      |     |     |    |    |    |
|       | 36   | 700           | 779    |      |          |               |                  |    |     |            |  |                      |     |     |    |    |    |
|       | 38   | K40<br>(40mm) |        |      |          |               |                  |    | 740 |            |  |                      | 819 | 10  |    |    | 35 |
|       | 40   |               |        |      |          |               |                  |    | 780 |            |  |                      | 859 |     |    |    |    |
|       | 42   |               |        |      |          | 820           | 899              |    |     |            |  |                      |     |     |    |    |    |
| 44    | 860  |               |        |      |          | 939           |                  |    |     |            |  |                      |     |     |    |    |    |
| 46    | 900  |               |        |      |          | 979           |                  |    |     |            |  |                      |     |     |    |    |    |
| 48    | 940  |               |        |      |          | 1019          |                  |    |     |            |  |                      |     |     |    |    |    |
| 50    | 980  |               |        |      |          | 1059          |                  |    |     |            |  |                      |     |     |    |    |    |
| 52    | 1020 |               |        |      |          | 1099          |                  |    |     |            |  |                      |     |     |    |    |    |
| 54    | 1060 |               |        |      |          | 1139          |                  |    |     |            |  |                      |     |     |    |    |    |
| 56    | 1100 |               |        |      |          | 1179          |                  |    |     |            |  |                      |     |     |    |    |    |
| 58    | 1140 |               |        |      |          | 1219          |                  |    |     |            |  |                      |     |     |    |    |    |
| 60    | 1180 |               |        |      |          | 1259          |                  |    |     |            |  |                      |     |     |    |    |    |
| 62    | 1220 |               |        |      |          | 1299          |                  |    |     |            |  |                      |     |     |    |    |    |
| 64    | 1260 |               |        |      |          | 1339          |                  |    |     |            |  |                      |     |     |    |    |    |
| 66    | 1300 |               |        |      |          | 1379          |                  |    |     |            |  |                      |     |     |    |    |    |
| 68    | 1340 |               |        |      |          | 1419          |                  |    |     |            |  |                      |     |     |    |    |    |
| 70    | 1380 |               |        |      |          | 1459          |                  |    |     |            |  |                      |     |     |    |    |    |
| 72    | 1420 |               |        |      |          | 1499          |                  |    |     |            |  |                      |     |     |    |    |    |
| 4     |      |               |        |      |          | 120           | 199              |    |     |            |  |                      |     |     |    |    |    |
| 6     |      |               |        |      |          | 200           | 279              |    |     |            |  |                      |     |     |    |    |    |
| 8     |      |               |        |      |          | 280           | 359              |    |     |            |  |                      |     |     |    |    |    |
| 10    |      |               |        |      |          | 360           | 439              |    |     |            |  |                      |     |     |    |    |    |
| 12    |      |               |        |      |          | 440           | 519              |    |     |            |  |                      |     |     |    |    |    |
| 14    |      |               |        |      |          | 520           | 599              |    |     |            |  |                      |     |     |    |    |    |
| 16    |      |               |        |      |          | 600           | 679              |    |     |            |  |                      |     |     |    |    |    |
| 18    |      |               |        |      |          | 680           | 759              |    |     |            |  |                      |     |     |    |    |    |
| 20    |      |               |        |      |          | 760           | 839              |    |     |            |  |                      |     |     |    |    |    |
| 22    |      |               |        |      |          | 840           | 919              |    |     |            |  |                      |     |     |    |    |    |
| 24    |      |               |        |      |          | 920           | 999              |    |     |            |  |                      |     |     |    |    |    |
| 26    |      |               |        |      |          | 1000          | 1079             |    |     |            |  |                      |     |     |    |    |    |
| 28    | 1080 | 1159          |        |      |          |               |                  |    |     |            |  |                      |     |     |    |    |    |
| 30    | 1160 | 1239          |        |      |          |               |                  |    |     |            |  |                      |     |     |    |    |    |
| 32    | 1240 | 1319          |        |      |          |               |                  |    |     |            |  |                      |     |     |    |    |    |
| 34    | 1320 | 1399          |        |      |          |               |                  |    |     |            |  |                      |     |     |    |    |    |
| 36    | 1400 | 1479          |        |      |          |               |                  |    |     |            |  |                      |     |     |    |    |    |

### 技术参数

|      | 10mm                | 20mm     | 40mm       |
|------|---------------------|----------|------------|
| 光轴间距 | 10mm                | 20mm     | 40mm       |
| 光束数  | 8、12、16...72        | 6、8...72 | 4、6、8...36 |
| 保护高度 | H=光轴间距×(光束数-1)      |          |            |
| 电源电压 | DC10V~30V           |          |            |
| 功率   | < 5W                |          |            |
| 响应时间 | (光束数×0.1ms)+0.4ms   |          |            |
| 信号输出 | NPN常闭/PNP常闭         |          |            |
| 工作温度 | -10°C ~ +55°C       |          |            |
| 储存温度 | -30°C ~ +60°C       |          |            |
| 工作湿度 | 温度20°C时, 空气相对湿度<85% |          |            |
| 抗光干扰 | 10000Lux(入射角 >5°)   |          |            |
| 光幕形式 | 对射式                 |          |            |
| 防护等级 | IP68                |          |            |
| 电路保护 | 电源过压保护、反极性保护和输出过流保护 |          |            |



请按图示订货

| 型号    | 代码 | 光束数 | 光轴间距          | 信号输出方式           | 可选配件       | 检测距离 (m)             |
|-------|----|-----|---------------|------------------|------------|----------------------|
| ZOB11 | 8  | 12  | K10<br>(10mm) | A(NPN)<br>B(PNP) | 06(上下安装支架) | 2(0.1~2)<br>4(0.1~4) |

ZOB11-8-K10-A-06-2