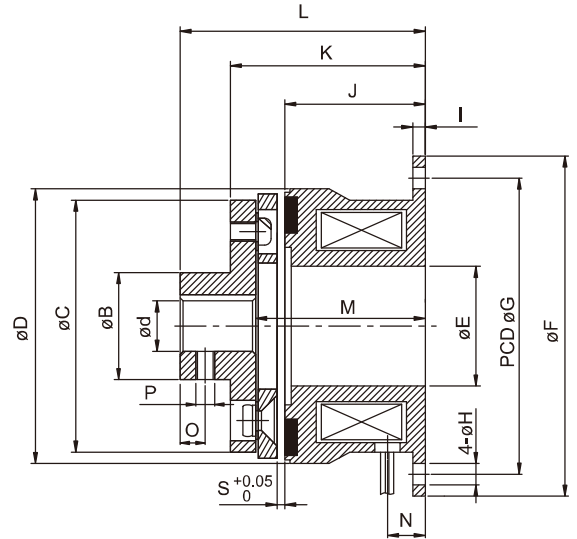
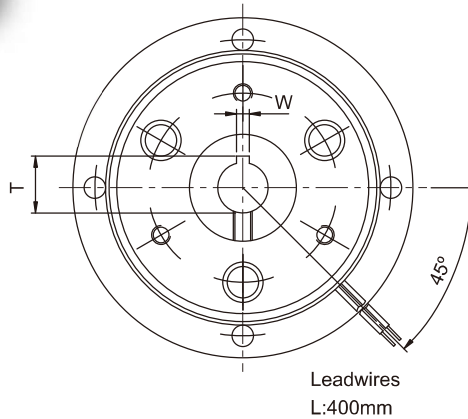


MG1 Series

微型電磁煞車器 Miniature Electromagnetic Brake - Flange Mounted

附導座 with hub



型號 MODEL	MG1S06AA	MG1S09AA	MG10S2AA	MG10S4AA	
靜扭力 Static Friction Torque (Nm)	0.6	0.9	2.2	4.5	
功率 Power [24V](W) at 20°C	6.2	6	8	10	
外型尺寸 Exterior dimensions	d(H7)	6	6	8	10
	B	13	15	17	24
	C	28	32	40	50
	D	31	34	43.6	54.5
	E	11	13	19	26
	F	39	45	54	65
	G	33.5	38	47	58
	H	3.4	3.4	3.4	3.4
	I	1.5	2	2	2
	J	16	18.9	22.3	23.5
	K	21.3	24.4	28.4	29.7
	L	26.3	31.4	37.4	38.7
	M	18.3	21.4	25.4	26.7
	N	4	5	6	6
	O	2.5	4	4	5
	P	M3	M3	M3	M3
	W	2	2	2	3
T	7	7	9	11.4	
S	0.1	0.1	0.15	0.2	