

IPC-7132

Cost-effective Wallmount Chassis for ATX/uATX Motherboard



Features

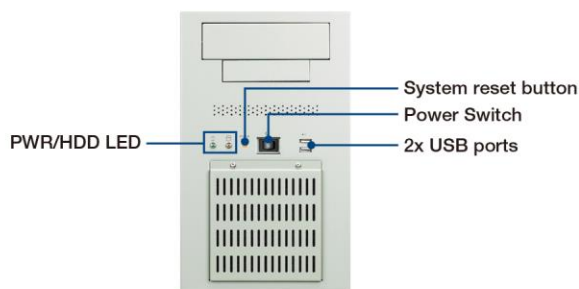
- Supports ATX/uATX motherboard
- Shockproof drive bay for one 5.25" ODD and three 3.5" HDDs
- Thumb-screw for top cover easy opening
- Bidirectional option to mount chassis on wall or workbench
- Two front access USB ports
- Low noise PWM controlled

CE FCC

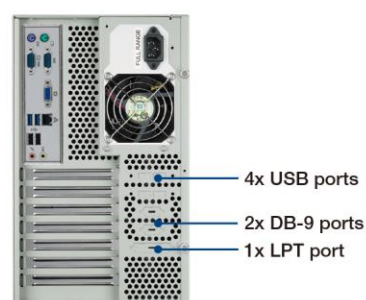
Specifications

		External	Internal
Disk Drive Bay	3.5"	1	2
	5.25"	1	-
Cooling	Fan	1 (12 cm/82 CFM)	
	Air Filters	Yes	
Front I/O interface	USB 2.0	2	
Miscellaneous	LED Indicators	Power, HDD	
	Control	Power Switch, System Reset Button	
	Rear panel	4x USB, 2x DB-9, 1x LPT port	
Environment	Temperature	Operating 0 ~ 40 °C (32 ~ 104 °F)	Non-operating -20 ~ 60 °C (-4 ~ 140 °F)
	Humidity	10 ~ 85 % @ 40 °C, non-condensing	10 ~ 95 % @ 40 °C, non-condensing
	Vibration (5-500 Hz)	1 Grms	2 G
	Shock	10 G (with 11 ms duration, half sine wave)	
	Physical Characteristics	Dimensions (W x H x D)	200 x 330 x 430 mm (7.9" x 13" x 16.9")
	Weight	9.96 kg (21.93 lb)	

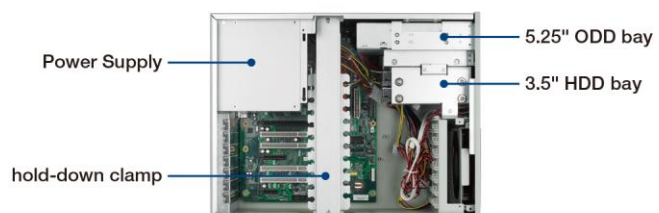
Front View



Rear View



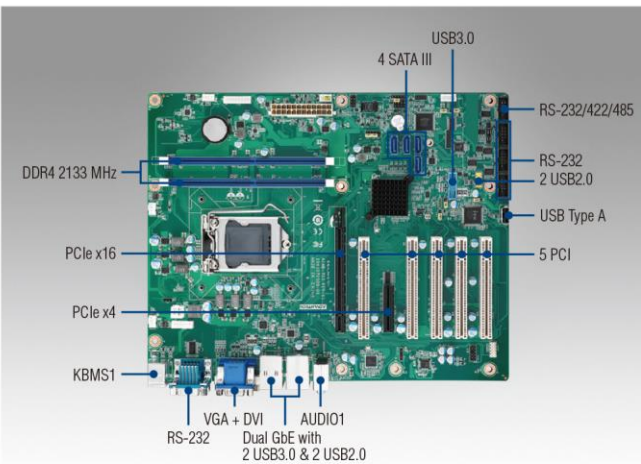
Inside View



Easy-to-maintain cooling fan

AIMB-705

LGA1151 6th/7th Generation Intel® Core™ i7/i5/i3/Pentium®/Celeron® ATX with DVI/VGA, DDR4, SATA III, USB 3.0 & 6 COMs



Features

- Intel® 6th/7th generation Core™ i7/i5/i3/Pentium®/Celeron® processor
- Dual channel (Non-ECC) DDR4 1866/2133 up to 32GB
- Supports VGA and DVI display
- Supports SATA3.0, USB3.0, dual GbEs
- Supports 5 RS-232 and 1 RS-232/422/485 serial ports
- 1 PCIe x16 (Gen3) and 1 PCIe x4 (Gen2), and 5 PCI expansion slots

Note 1: Only Intel 6th generation processor can support Windows 7.
 Note 2: dTPM 2.0 module is required to enable Intel vPro and TPM technologies.

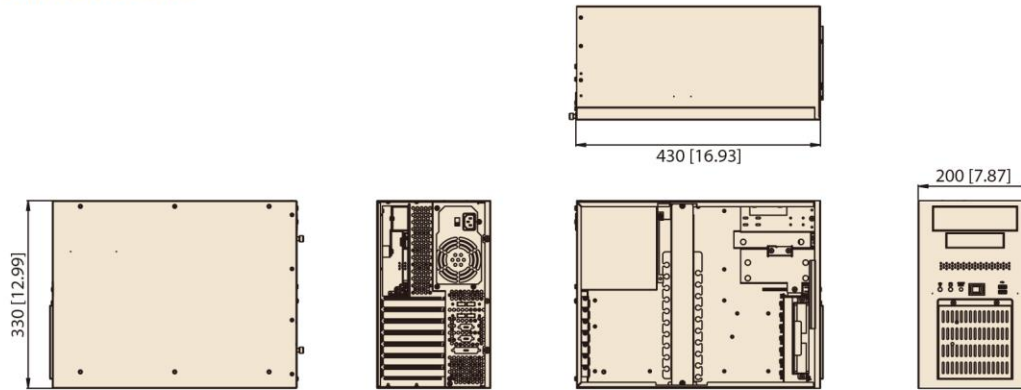
Quiet Specifications



Processor System	CPU	i7-7700	i7-7700T	i7-6700	i7-6700TE	i5-7500	i5-7500T	i5-6500	i5-6500TE	i3-7101E	i3-7101TE	i3-6100	i3-6100TE	G4400	G4400TE	G3900	G3900TE								
	Speed	3.6GHz	2.9GHz	3.4 GHz	2.4 GHz	3.4GHz	2.7GHz	3.2 GHz	2.3 GHz	3.9GHz	3.4GHz	3.7 GHz	2.7 GHz	3.3 GHz	2.9 GHz	2.8 GHz	2.6 GHz								
	Cache	8MB	8MB	8 MB	8 MB	6MB	6MB	6 MB	6 MB	3MB	3MB	4 MB	4 MB	3 MB	3 MB	2 MB	2 MB								
	Cores	4	4	4	4	4	4	4	4	2	2	2	2	2	2	2	2								
	TDP	65 W	35 W	65 W	35 W	65 W	35 W	65 W	35 W	54 W	35 W	65 W	35 W	65 W	35 W	65 W	35 W								
	Socket	LGA 1151																							
	Chipset	Intel H110																							
BIOS	AMI 128Mbit SPI Flash																								
Expansion Slot	PCI	32-bit/33 MHz, 5 slots																							
	PCIe x4 (Gen2)	2 GB/s per direction, 1 slot																							
	PCIe x16 (Gen3)	16 GB/s per direction, 1 slot																							
Memory	Technology	Dual Channel Non-ECC UDIMM DDR4 1866/2133																							
	Max Capacity	32 GB (16 GB per DIMM)																							
	Sockets	2 (288-pin DIMM)																							
Graphics	Controller	Chipset integrated Intel HD Graphics																							
	VRAM	Shared system memory is subject to OS																							
Ethernet	Interface	10/100/1000 Mbps																							
	Controller	GbE LAN1: Intel I219-V, GbE LAN2 for G2 version: Intel I210-AT																							
	Connector	2 (RJ-45)																							
SATA	Max Data Transfer Rate	600 MB/s																							
	Channel	4																							
Rear I/O	VGA	1 (Resolution up to 1920 x 1200 @ 60Hz)																							
	DVI	1 for G2 version (Resolution up to 1920 x 1200 @ 60Hz)																							
	Ethernet	2 for G2 version; 1 for VG version																							
	USB	4 (USB3.0 x2, USB2.0 x2)																							
	Audio	Line-out, Mic-in																							
	Serial	2																							
	PS/2	2 (1 x keyboard and 1 x mouse)																							
Internal Connectors	USB	1 (Type A); 2 (USB2.0, Pin-header); 2 (USB3.0, Box-header)																							
	Serial	4 for G2 version (3 x RS-232, box-header; 1 x RS-232/422/485 with auto-flow control, box-header)																							
	SATA	4																							
	LPC	1 (Optional dTPM 2.0 module available)																							
	GPIO	8 bits																							
Watchdog Timer	Output	System reset																							
	Interval	Programmable 1 - 255 sec																							
Power Requirement	Test Environment	Intel Core i7-6700 3.4GHz; DDR4 2133 8GB x 2																							
	Voltage	3.3V					5V					12V					5Vsb					-5V		-12V	
	Current	0.49A					3.13A					7.88A					0.08A					0.07A		0.07A	
Environment	Temperature	Operating										Non-Operating													
	Humidity	0 - 60 °C (32 - 140 °F), depends on CPU speed and system thermal solution										-40 - 85 °C (-40 - 185 °F)													
Physical Characteristics	Dimensions (L x H)	304.8 x 244 mm (12" x 9.6")																							
		40 °C @ 95% RH Non-condensing																							
		60 °C @ 95% RH Non-condensing																							

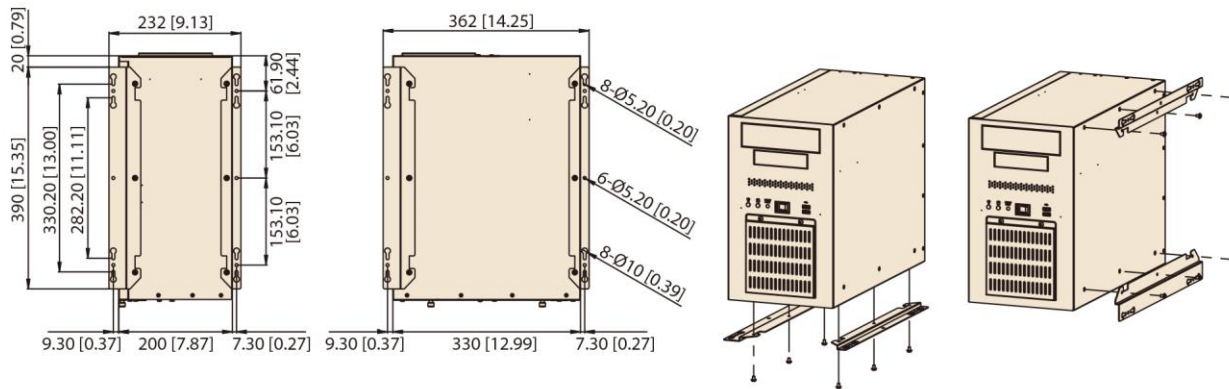
Dimensions

Unit: mm [inch]



Installation

Unit: mm [inch]



Ordering Information

Model Name	Power Supply	Wattage	Switch Type
IPC-7132MB-30B	PS8-300ATX-ZBE	300W	ATX
IPC-7132MB-50B	PS8-500ATX-BB	500W	ATX

Optional Accessories

Part Number	Description
IPC-DT-3120E	Mobile HDD tray for dual 2.5" SATA HDDs