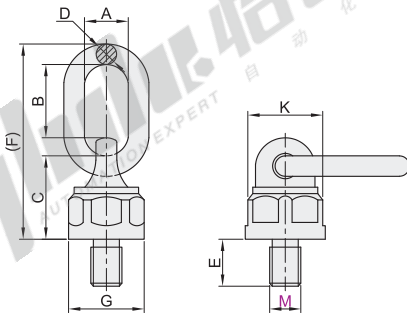


| 代码 | 类型 | 材质 | 表面处理 |
|-------|--------|-----|--------|
| TCF34 | 万向旋转吊环 | 合金钢 | 烤漆(橙色) |



① 因烤漆工艺，可能会导致产品吊装处部分区域未能烤漆。



| 代码 | 型号 | M | 安全系数 | A | B | C | D | E | (F) | G | K | 净重 (kg) | | | | | | | |
|-------|-------|----|------|-----|----|-----|-----|-----|-----|------|----|---------|-------|-----|------|-------|-----|------|------|
| | 规格 | | | | | | | | | | | | | | | | | | |
| TCF34 | 0.4T | 8 | 4 | 30 | 44 | 46 | 12 | 12 | 98 | 40 | 37 | 0.44 | | | | | | | |
| | 0.6T | 10 | | | | | | 19 | | | | 0.45 | | | | | | | |
| | 0.7T | 12 | | | | | | 19 | | | | 0.45 | | | | | | | |
| | 1.05T | 14 | | | | | | 19 | | | | 1.15 | | | | | | | |
| | 1.25T | 16 | | | | | | 12 | | | | 31.8 | 98 | 40 | 37 | 0.48 | | | |
| | 1.9T | 16 | | | | | | 34 | | | | 54.5 | 64.5 | 16 | 30 | 132.5 | 59 | 54.5 | 1.35 |
| | | 18 | | | | | | 40 | | | | 67 | 76 | 20 | 38.1 | 160 | 70 | 64.3 | 2.3 |
| | 2T | 20 | | | | | | 34 | | | | 54.5 | 64.5 | 16 | 30 | 132.5 | 59 | 54.5 | 1.4 |
| | | 22 | | | | | | 40 | | | | 67 | 76 | 20 | 38.1 | 160 | 70 | 64.3 | 2.3 |
| | 2.5T | 22 | | | | | | 40 | | | | 67 | 76 | 20 | 38.1 | 160 | 70 | 64.3 | 2.35 |
| | 3.15T | 24 | | | | | | 34 | | | | 54.5 | 64.5 | 16 | 30 | 132.5 | 59 | 54.5 | 1.4 |
| | | 24 | | | | | | 40 | | | | 67 | 76 | 20 | 38.1 | 160 | 70 | 64.3 | 2.35 |
| | 4T | 27 | | | | | | 40 | | | | 67 | 76 | 20 | 38.1 | 160 | 70 | 64.3 | 2.35 |
| | | 30 | | | | | | 35 | | | | 2.5 | | | | | | | |
| | 5T | 30 | | | | | | 50 | | | | 3.75 | | | | | | | |
| | | 33 | | | | | | 54 | | | | 206 | 79 | 74 | 3.8 | | | | |
| | 10T | 36 | | | | | | 58 | | | | 4 | | | | | | | |
| | | 39 | | | | | | 63 | | | | 5.9 | | | | | | | |
| | 13T | 42 | | | | | | 65 | | | | 108 | 100.5 | 26 | 68 | 230.5 | 93 | 85 | 6 |
| | | 45 | | | | | | 84 | | | | 10 | | | | | | | |
| | 14T | 48 | | | | | | 84 | | | | 10 | | | | | | | |
| | | 52 | | | | | | 90 | | | | 278 | 105 | 95 | 10.5 | | | | |
| | 20T | 56 | | | | | | 95 | | | | 10.7 | | | | | | | |
| | | 60 | | | | | | 108 | | | | 158 | 142 | 23 | | | | | |
| | 25T | 72 | | | | | | 120 | | | | 174 | 40 | 120 | 339 | 158 | 142 | 24 | |
| | | 80 | | | | | | 108 | | | | 188 | 48 | 108 | 373 | 169 | 155 | 34 | |
| | 31.5T | 72 | | | | | | 120 | | | | 174 | 40 | 120 | 339 | 158 | 142 | 26 | |
| | | 80 | | | | | | 135 | | | | 339 | 158 | 142 | 26 | | | | |
| 35T | 90 | 90 | 138 | 188 | 48 | 135 | 373 | 169 | 155 | 37.5 | | | | | | | | | |
| | 100 | 90 | 138 | 188 | 48 | 135 | 373 | 169 | 155 | 39 | | | | | | | | | |
| 40T | 90 | 90 | 138 | 188 | 48 | 135 | 373 | 169 | 155 | 37.5 | | | | | | | | | |
| | 100 | 90 | 138 | 188 | 48 | 135 | 373 | 169 | 155 | 39 | | | | | | | | | |



请按图示订货

| 型号 | | M |
|-------|------|----|
| 代码 | 规格 | |
| TCF34 | 0.4T | 8 |
| | 0.6T | 10 |

TCF34—0.4T—M8



未税价(元)

● 优惠价

| | | |
|----|------|------|
| 数量 | 1~9 | 10~ |
| 价格 | 100% | 另行报价 |



交货期

7

工作极限载荷

| 吊环 安装方式 | | | | | | | | | | | | |
|------------|-------|-----------|------|------|------|-------|--------|------|-------|--------|------|-----|
| 吊环数量 | | 1 | 2 | 1 | 2 | 2 | 2 | 2 | 3~4 | 3~4 | 3~4 | |
| 起吊角度 | | 0° | 0° | 90° | 90° | 0~45° | 45~60° | 不对称 | 0~45° | 45~60° | 不对称 | |
| 型号 | | 工作极限载荷(吨) | | | | | | | | | | |
| 代码 | 规格 | 螺纹 | | | | | | | | | | |
| TCF34 | 0.4T | M8 | 0.6 | 1.2 | 0.4 | 0.8 | 0.6 | 0.4 | 0.4 | 0.8 | 0.6 | 0.4 |
| | 0.6T | M10 | 0.9 | 1.8 | 0.6 | 1.2 | 0.8 | 0.6 | 0.6 | 1.3 | 0.9 | 0.6 |
| | 0.7T | M12 | 1.2 | 2.4 | 0.7 | 1.4 | 1 | 0.7 | 0.7 | 1.5 | 1.1 | 0.7 |
| | 1.05T | M12 | 1.6 | 3.2 | 1.05 | 2.1 | 1.5 | 1.1 | 1.1 | 2.2 | 1.6 | 1.1 |
| | 1.25T | M14 | 2 | 4 | 1.25 | 2.5 | 1.8 | 1.3 | 1.3 | 2.6 | 1.9 | 1.3 |
| | 1.5T | M16 | 2.6 | 5.2 | 1.5 | 3 | 2.1 | 1.5 | 1.5 | 3.2 | 2.3 | 1.5 |
| | 1.9T | M16 | 3 | 6 | 1.9 | 3.8 | 2.7 | 1.9 | 1.9 | 4 | 2.9 | 1.9 |
| | | M18 | 3.6 | 7.2 | | | | | | | | |
| | 2T | M20 | 3.5 | 7 | 2 | 4 | 2.8 | 2 | 2 | 4.2 | 3 | 2 |
| | | M22 | | | | | | | | | | |
| | 2.5T | M20 | 4 | 8 | 2.5 | 5 | 3.5 | 2.5 | 2.5 | 5.3 | 3.8 | 2.5 |
| | | M22 | | | | | | | | | | |
| | 3.15T | M24 | 5 | 10 | 3.15 | 6.3 | 4.4 | 3.2 | 3.2 | 6.6 | 4.7 | 3.2 |
| | | M24 | | | | | | | | | | |
| | 4T | M27 | 7 | 14 | 4 | 8 | 5.6 | 4 | 4 | 8.4 | 6 | 4 |
| | | M27 | | | | | | | | | | |
| | 5T | M30 | | | 5 | 10 | 7 | 5 | 5 | 10.5 | 7.5 | 5 |
| | 6T | M30 | 10 | 20 | 6 | 12 | 8.4 | 6 | 6 | 12.6 | 9 | 6 |
| | 7.5T | M33 | | | 7.5 | 15 | 10.5 | 7.5 | 7.5 | 15.8 | 11.3 | 7.5 |
| | 10T | M36 | 15 | 30 | 10 | 20 | 14 | 10 | 10 | 21 | 15 | 10 |
| | | M39 | | | | | | | | | | |
| | 13T | M42 | 17 | 34 | 13 | 26 | 18.2 | 13 | 13 | 27.3 | 19.5 | 13 |
| | | M45 | | | | | | | | | | |
| | 14T | M48 | 18 | 36 | 14 | 28 | 19.6 | 14 | 14 | 29.4 | 21 | 14 |
| | | M52 | 25 | 50 | | | | | | | | |
| | 20T | M56 | | | 20 | 40 | 28 | 20 | 20 | 42 | 30 | 20 |
| | | M60 | 28 | 56 | | | | | | | | |
| | | M64 | | | | | | | | | | |
| | 25T | M72 | 31.5 | 63 | 25 | 50 | 35 | 25 | 25 | 52.5 | 37.5 | 25 |
| | 30T | M80 | 38 | 76 | 30 | 60 | 42 | 30 | 30 | 63 | 45 | 30 |
| 31.5T | M72 | | | 31.5 | 63 | 44.1 | 31.5 | 31.5 | 66.2 | 47.3 | 31.5 | |
| | M80 | | | | | | | | | | | |
| 35T | M90 | 40 | 80 | 35 | 70 | 49 | 35 | 35 | 73.5 | 52.5 | 35 | |
| | M100 | | | | | | | | | | | |
| 40T | M90 | 50 | 100 | 40 | 80 | 56 | 40 | 40 | 84 | 60 | 40 | |
| | M100 | | | | | | | | | | | |

