

丝杠支座组件

低型

外压盖整合型传动座

| 代码 | 类型 | 材质 | | | 表面处理 | |
|-------|---------------|----|----|------|------|----------|
| | | ① | ③⑥ | ④ | ①③ | ④⑥ |
| LEJ10 | 外压盖整合型 传动座 | 低型 | 铸铁 | S45C | SUJ2 | 磷化 发黑 |

构成零件

| 编号 | 零件名称 | 数量 |
|----|-------|----|
| ① | 传动座本体 | 1 |
| ② | 轴承 | 1组 |
| ③ | 压板 | 1 |
| ④ | 间隔环 | 2 |
| ⑤ | 油封 | 2 |
| ⑥ | 锁紧螺母 | 1组 |

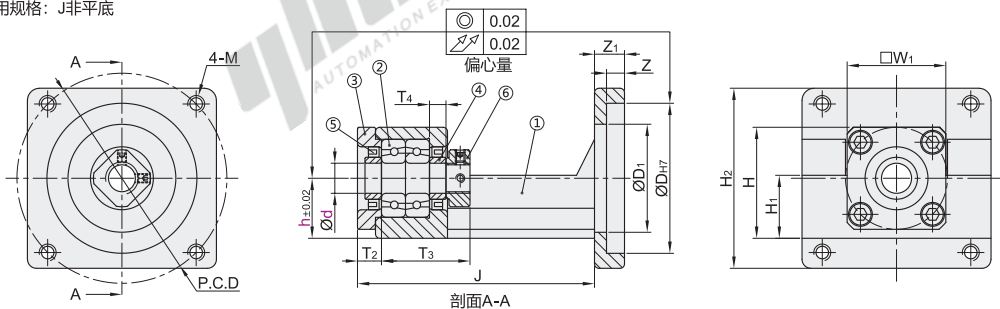


- ① ①②③⑤为一体，请勿拆解，否则将影响精度。
- ② 轴承已经封入适量锂皂基抗极压润滑脂
- ③ 使用之轴承经预压处理，轴向0间隙。
- ④ 轴承采用P5配对DF组装，最适宜滚珠丝杠使用。

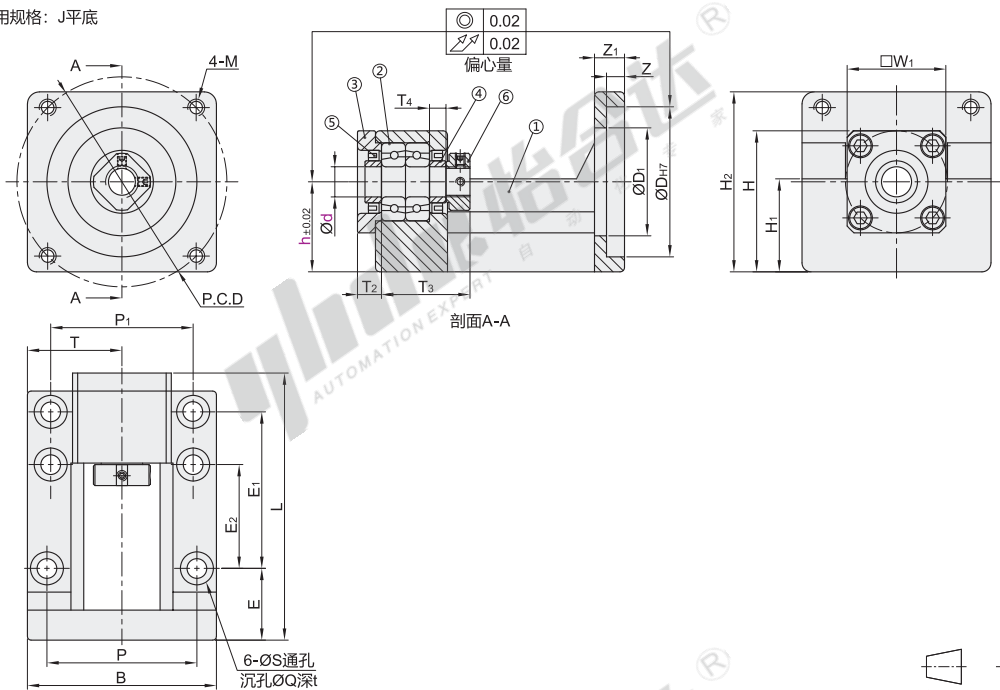
锁紧螺母规格

| 适用丝杠轴径 d | 适用 锁紧螺母 |
|-------------|------------|
| 10 | M10×1 |
| 12 | M12×1 |

适用规格：J非平底



适用规格：J平底



视角标准：第一视角

| 代码 | 型号 | | 中心高 h | L | B | W1 | T | P | P1 | E | E1 | E2 | T2 | T3 | T4 | J | D | D1 | Z | Z1 | H | H1 | H2 | S | Q | t | P.C.D | M | 建议 丝杠支座 | | 建议 电机规格 | | | | |
|-------|-----------------|-----------------|----------|----|----|------|----|----|----|----|----|----|----|----|----|------|-----|----|----|----|----|----|----|----|----|---|-------|------|------------|----------|-------------|---------|------|------|------|
| | 适用 丝杠轴径 d | 适用 电机法兰 F | | | | | | | | | | | | | | | | | | | | | | | | | | | 支撑侧 | 止口 规格 | 安装 P.C.D | 安装 孔 | | | |
| LEJ10 | 10 | 60 | 20 | | | | | | | | | | | | | | | | | | | | | | | | | M4 | — | | | Ø4.5 | | | |
| | | 60S | | | | | | | | | | | | | | | | | | | | | | | | | | | | M5 | — | | | Ø6 | |
| | | 60S | | | | | | | | | | | | | 10 | 29.5 | 5.5 | 80 | 50 | 6 | | | 37 | 27 | 60 | | | | 70 | LEB31-10 | 50 | 70 | | Ø4.5 | |
| | 12 | 57 | 25 | | | | | | | | | | | | | | | | | | | | | | | | | | | M4 | — | | | Ø4.5 | |
| | | 60 | | | | | | | | | | | | | | | | | | | | | | | | | | | | | M5 | — | | | Ø6 |
| | | 60S | | | | | | | | | | | | | | | | | | | | | | | | | | | | | | M4 | — | | |
| | 60 | 20 | 89 | 65 | 34 | 32.5 | 50 | 46 | 24 | 53 | 40 | | | | 平底 | 38.1 | | | | | 42 | 32 | | | | | | 66.7 | M4 | — | | | Ø4.5 | | |
| | 60S | | | | | | | | | | | | | | | | | | | | | | | | | | | | | M5 | — | | | Ø6 | |
| | 60S | | | | | | | | | | | | | | | | | | | | | | | | | | | | | | M4 | — | | | Ø4.5 |
| | 60 | 25 | | | | | | | | | | | | | | | | | | | | | | | | | | | | M4 | — | | | Ø4.5 | |
| | 60S | | | | | | | | | | | | | | | | | | | | | | | | | | | | | | M5 | — | | | Ø6 |
| | 60S | | | | | | | | | | | | | | | | | | | | | | | | | | | | | | M4 | — | | | Ø4.5 |
| | 60 | 30 | | | | | | | | | | | | | | | | | | | | | | | | | | | | | M4 | — | | | Ø4.5 |
| | 60S | | | | | | | | | | | | | | | | | | | | | | | | | | | | | | M5 | — | | | Ø6 |
| | 60S | | | | | | | | | | | | | | | | | | | | | | | | | | | | | | M4 | — | | | Ø4.5 |
| | 60S | | | | | | | | | | | | | | | | | | | | | | | | | | | | | M5 | — | | | Ø6 | |

请按图示订货

| 代码 | 型号 | | 中心高 h |
|-------|-------------|-------------|----------|
| | 适用丝杠轴径 d | 适用电机法兰 F | |
| LEJ10 | 10 | 60 | 25 |
| | 12 | 60S | 20 |

未标价(元)

● 优惠价
数量 1~4 5~
价格 100% 另行报价

交货期
7

LEJ10—d10—F60—h25