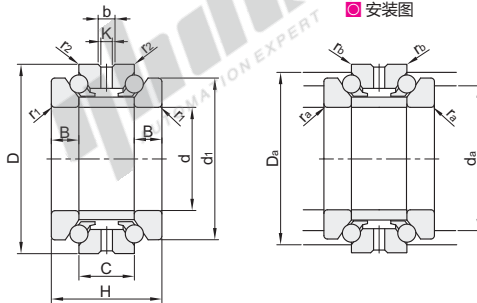


# 双向推力角接触球轴承

品牌	轴承精度	轴承材质		接触角(°)
		主体	保持架	
HRB	P5	SUJ2	BM1: 铜合金	60
	P4			



安装图



视角标准：第一视角

型号		d	D	H	r1 (min)	r2 (min)	B	C	d1	K	b	额定载荷(KN)		极限转速(r/min)		安装尺寸				重量 (kg) 参考
P5精度	P4精度											Ca (动)	Coa (静)	脂润滑	油润滑	da	Da	ra	rb	
234406BM1/P5-HRB	234406BM1/P4-HRB	30	55	32			8	16	47		6	14	28.2	6700	9000	39	51			0.29
234407BM1/P5-HRB	234407BM1/P4-HRB	35	62	34			8.5	17	53		3	19.7	42.1	6000	8000	45	58			0.38
234408BM1/P5-HRB	234408BM1/P4-HRB	40	68	36	1	0.15	9	18	58.5		7	23.8	49.9	5600	7500	50	64			0.46
234409BM1/P5-HRB	234409BM1/P4-HRB	45	75	38			9.5	19	65			26	59.8	5300	7000	56	71			0.55
234410BM1/P5-HRB	234410BM1/P4-HRB	50	80						70			26.7	64.6	5000	6700	61	76			0.62
234411BM1/P5-HRB	234411BM1/P4-HRB	55	90						78			37.2	85.7	4500	6000	68	85			0.95
234412BM1/P5-HRB	234412BM1/P4-HRB	60	95	44			11	22	83			37.6	89.6			73	90	1		0.99
234413BM1/P5-HRB	234413BM1/P4-HRB	65	100						88			38.7	97.5	4300	5600	78	95			1.08
234414BM1/P5-HRB	234414BM1/P4-HRB	70	110	48	1.1		12	24	97		8	47.1	122.5	3800	5000	85	105			1.51
234415BM1/P5-HRB	234415BM1/P4-HRB	75	115			0.3			102		4	49	131.3			90	110			1.59
234416BM1/P5-HRB	234416BM1/P4-HRB	80	125				13.5	27	110			57.3	156.8	3400	4500	97	119			2.23
234417BM1/P5-HRB	234417BM1/P4-HRB	85	130	54					115			58	162.6	3200	4300	102	124			2.36
234418BM1/P5-HRB	234418BM1/P4-HRB	90	140						123			67.5	190	3000	4000	109	132			3.01
234419BM1/P5-HRB	234419BM1/P4-HRB	95	145	60	1.5		15	30	128		10	68.1	196.9			114	137	1.5		3.13
234420BM1/P5-HRB	234420BM1/P4-HRB	100	150						133			68.8	203.8	2800	3800	119	142			3.19
234421BM1/P5-HRB	234421BM1/P4-HRB	105	160	66			16.5	33	142			78.3	236.1	2400	3400	125	151			4.53
234422BM1/P5-HRB	234422BM1/P4-HRB	110	170	72	2		18	36	150			95.6	279.3	2200	3200	132	161			5.32
234424BM1/P5-HRB	234424BM1/P4-HRB	120	180						160			98	298.9			142	171			5.54
234426BM1/P5-HRB	234426BM1/P4-HRB	130	200	84			21	42	177		6	138.8	406.7	1900	2800	156	190	2		10.1
234428BM1/P5-HRB	234428BM1/P4-HRB	140	210						187			143.9	436.7	1800	2600	166	200			9.16
234430BM1/P5-HRB	234430BM1/P4-HRB	150	225	90	0.6		22.5	45	200			146.5	465.5	1700	2400	178	213			11.1
234432BM1/P5-HRB	234432BM1/P4-HRB	160	240	96			24	48	212			172	543.9	1600	2200	190	227			13.6
234434BM1/P5-HRB	234434BM1/P4-HRB	170	260	108	2.1		27	54	230			207	740	2200	3200	206.5	245			15.3
234436BM1/P5-HRB	234436BM1/P4-HRB	180	280						248		15	235	840	2000	3000	221	263	2.1		20.5
234438BM1/P5-HRB	234438BM1/P4-HRB	190	290	120			30	60	258		8	235.7	788.9	1400	1900	229	280			25.7
234440BM1/P5-HRB	234440BM1/P4-HRB	200	310	132			33	66	274		16	271.3	916.3	1300	1700	243	300	2	1	33.6

1Kg=9.81N



请按图示订货

型号 234406BM1/P5-HRB



未税价(元)

优惠价		
数量	1~9	10~
价格	100% 另行报价	



交货期 7

