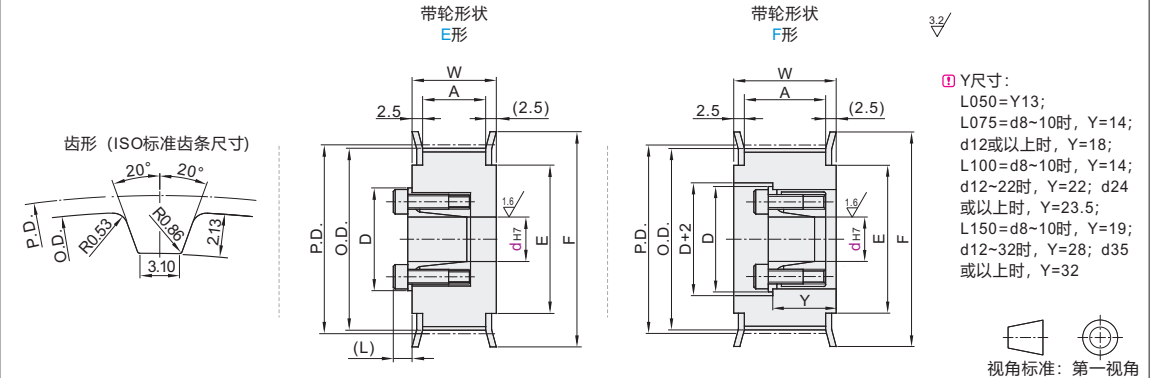


免键梯形齿同步轮

◀ L型
齿距9.525
带筒易厚壁型免键胀套(带定心功能)

| 代码 | 带轮类型 | 皮带宽度 | 齿距 | 材质 | | | 表面处理 | | | 使用胀套代码 |
|-------|------|------|-------|-------|------|------|--------|-----|-------------------------|--------|
| | | | | 带轮 | 法兰 | 胀套 | 带轮 | 法兰 | 胀套 | |
| ECB41 | L050 | 12.7 | 9.525 | A7075 | 铝合金 | S45C | 本色阳极氧化 | — | EUX16 EUX17 EUX18 | |
| ECB43 | | | | S45C | SPCC | | 发黑 | — | | |
| ECB44 | | | | — | — | | 无电解镀镍 | — | | |
| ECB46 | | | | A7075 | 铝合金 | | 本色阳极氧化 | — | | |
| ECB48 | L075 | 19.1 | 9.525 | S45C | SPCC | S45C | 发黑 | — | EUX16 EUX17 EUX18 | |
| ECB49 | | | | — | — | | 无电解镀镍 | — | | |
| ECB51 | L100 | 25.4 | 9.525 | A7075 | 铝合金 | S45C | 本色阳极氧化 | — | EUX16 EUX17 EUX18 | |
| ECB53 | | | | — | — | | 发黑 | — | | |
| ECB54 | L150 | 38.1 | 9.525 | S45C | SPCC | S45C | 无电解镀镍 | — | EUX16 EUX17 EUX18 | |
| ECB56 | | | | — | — | | A7075 | 铝合金 | | 本色阳极氧化 |
| ECB58 | L150 | 38.1 | 9.525 | S45C | SPCC | S45C | 发黑 | — | EUX16 EUX17 EUX18 | |
| ECB59 | | | | | | | — | — | | 无电解镀镍 |



| 型号 | 带轮形状 | 轴孔规格dH7(根据胀套尺寸表选择) | | | | | | | | P.D. | O.D. | F | E | A | W |
|------------|------|--------------------|-------|-------|-------|-------|-------|-------|--------|--------|--------|-----|-----|----------------------|----------------------|
| | | L050 | | L075 | | L100 | | L150 | | | | | | | |
| 代码 | 齿数 | E形 | F形 | E形 | F形 | E形 | F形 | E形 | F形 | | | | | | |
| ECB41-L050 | 14 | | | | | | | | | 42.45 | 41.68 | | | | |
| | 15 | 8-10 | 8-10 | 8-10 | 8-10 | 8-10 | 8-10 | 8-10 | 8-10 | 45.48 | 44.72 | 48 | 35 | | |
| | 16 | 10~14 | | 10~14 | 10~14 | 10~14 | 10~14 | 10~14 | 10~14 | 48.51 | 47.75 | 55 | 40 | | |
| | 17 | | 10 | 10~14 | 10~14 | 10~14 | 10~14 | 10~14 | 10~14 | 51.54 | 50.78 | | | | |
| | 18 | 10~16 | | 10~16 | 10~16 | 10~16 | 10~16 | 10~16 | 10~16 | 54.57 | 53.81 | 61 | 45 | | |
| | 19 | 12~19 | | 12~19 | | 12~19 | 12~19 | 12~19 | 12~19 | 57.61 | 56.84 | 67 | 50 | | |
| | 20 | | | | | | | | | 60.64 | 59.88 | | | | |
| | 21 | 12~19 | | 12~20 | | 12~20 | 12~20 | 12~20 | 12~20 | 63.67 | 62.91 | 70 | 56 | | L050 A:14 W:19 |
| | 22 | | | 12~22 | | 12~22 | 12~22 | 12~22 | 12~22 | 66.70 | 65.94 | 80 | 60 | | |
| | 24 | | | | | | | | | 72.77 | 72.00 | | | | |
| | 25 | 12~19 | | 12~28 | 12~19 | 12~28 | 12~28 | 12~28 | 12~28 | 75.80 | 75.04 | 87 | 67 | | L075 A:21 W:26 |
| | 26 | E | | | | | | | | 78.83 | 78.07 | | | | |
| | 28 | | | | | | | | | 84.89 | 84.13 | 95 | 75 | | |
| | 30 | F | 12~19 | | 12~32 | | 12~32 | | 12~32 | 90.96 | 90.20 | 99 | 80 | | |
| | 32 | | | | | | 12~30 | | 12~32 | 97.02 | 96.26 | 104 | 84 | | L100 A:27 W:32 |
| | 34 | | 12~19 | | 12~32 | | 12~35 | | 12~35 | 103.08 | 102.32 | 111 | 90 | | |
| | 36 | | | | | | 15~40 | | 15~40 | 109.15 | 108.39 | 123 | 102 | | |
| 38 | | 15~19 | | 15~32 | 15~19 | 15~45 | | 15~45 | 115.21 | 114.45 | 127 | 105 | | L150 A:40 W:45 | |
| 40 | | | | | | | | | 121.28 | 120.51 | 131 | 110 | | | |
| 42 | | | | | | | | | 127.34 | 126.58 | 135 | 115 | | | |
| 44 | | | | | | | | | 133.40 | 132.64 | 140 | 120 | | | |
| 48 | | | | | | | | | 145.53 | 144.77 | 152 | 130 | | | |
| 50 | | 16~19 | | 16~32 | 16~19 | 16~50 | | 16~50 | 151.60 | 150.83 | 160 | 140 | | | |
| 60 | | | | | | | | | 181.91 | 181.15 | 190 | 170 | | | |
| 72 | | | | | | | | | 218.30 | 217.53 | 225 | 200 | | | |

同步轮 F3

| 型号 | 带轮形状 | 轴孔规格dH7 |
|--------------------------|------|---------|
| ECB41-L050 | 14 | E形 |
| ECB46-L075 | 15 | F形 |
| ECB41-L050 — 15 — E — d8 | | |

● 优惠价
数量 1~4 5~
价格 100% 另行报价
未税价(元)

交货期 5

| 胀套尺寸 | | | |
|------|-----------|------|-----|
| dH7 | 容许最大扭矩N·m | D | (L) |
| 8 | 19.6 | 23.5 | |
| 10 | 27.5 | 25.5 | 6 |
| 12 | 44.1 | 28.5 | |
| 14 | 63.7 | 30.5 | |
| 15 | 80.4 | 31.5 | |
| 16 | 83.3 | 33.0 | 6.5 |
| 17 | 92.2 | 33.5 | |
| 18 | 95.1 | 34.5 | |
| 19 | 98.1 | 35.5 | |
| 20 | 216.0 | 42.0 | |
| 22 | 255.0 | 44.0 | |
| 24 | 363.0 | 46.0 | 8 |
| 25 | 392.0 | 47.0 | |

| 胀套尺寸 | | | |
|------|-----------|------|------|
| dH7 | 容许最大扭矩N·m | D | (L) |
| 28 | 441.0 | 50.0 | |
| 30 | 500.0 | 52.0 | 8.5 |
| 32 | 530.0 | 54.0 | |
| 35 | 883.0 | 62.0 | |
| 40 | 1079.0 | 67.0 | 10 |
| 45 | 1285.0 | 72.0 | |
| 50 | 1706.0 | 77.0 | 10.5 |